

Zhongshan Laitu Photographic Equipment Co.,Ltd  
Email: sales@leofoto.cn  
www.leofoto.com



 **Leofoto**<sup>®</sup>  
PROFESSIONAL PHOTOGRAPHIC SUPPORTS  
2020/2021

# Professional Photographic Supports TAKING IT FURTHER

Leofoto has been specializing in the development and production of photographic accessories since the brand was first established over 15 years ago. The founder of Leofoto, who has been in the photographic equipment industry for 15 years, has a real passion for photography and our mission is to provide the best image support systems and always be the first choice for photographers worldwide.

With a global marketing network that spans more than 30 countries and regions plus an extensive product line, Leofoto is the perfect choice for every photographer. We believe in the power of equipment; having great products might make you different but having the right products is key to really stand out from the crowd. We are passionate about photography and are dedicated to design and develop not just high-quality, but also practical and durable photographic equipment.

Innovation is the foundation of our business and our ideas are developed to help you achieve your photographic dreams, solve your photographic problems, and meet your photographic needs. We research new, cutting-edge technologies and we are not afraid to use them in our product design. That is why we produce only the best quality products that give the user a first-class experience. Every Leofoto product is developed from a photographer's point of view and that is why our products are unique, practical, durable, and easy to use.

To uphold our reputation for products that are functional and diverse, we need to be confident that our products are reliable and durable when used in extreme field conditions. We therefore ensure that every Leofoto product goes through a rigorous testing process to maintain our performance standards.

**-30°C** **60°C**

All Leofoto products use Nichimoly lubricant (made in Japan) which is rated for temperatures as low as -30°C and tested rigorously in our facilities to ensure products function well in such low temperatures.

**NSK** **SUS 304** **CU 65%**

Every part of our products is precisely engineered for superior quality, best performance, and durability. At Leofoto, we believe in using only the best quality components.

**6061-T6**

All Leofoto products are made of machine-extruded 6061-T6 aluminium alloy which produces a smoother surface.

**10X TORAY 100% 10-LAYER CARBON FIBER**

10-layer carbon fibre leg tubes feature cross rhombus structure for greater strength, stability and less vibration.

## TRIPOD MODEL NAMING RULES

LS-284CVL, LS-284CEX, LS-283CM, LX-225CT.

- L** → Leofoto
- S** → Tripod series
- 28** → Diameter of the max tube
- 4** → Sections
- C** → Carbon fiber
- VL** → Multi-Functional
- EX** → Leveling
- M** → Middle size
- T** → Reverse folding tripod



### Leofoto Toray 100% 10-Layer Carbon Fibre Leg Tubes

**10X**  
Toray 100% 10-layer carbon fiber

Toray 100% 10-layer carbon fiber leg tubes feature cross rhombus structure for greater strength, stability and less vibration.

### Leofoto Aluminum Technology

### Leofoto Carbon Fibre Technology



STRIVE FOR SUPERIOR QUALITY **TURN IDEAS INTO REALITY**  
TAKING IT FURTHER **REVOLUTION**



Professional Photographic Supports  
**TAKING IT FURTHER**

We strive to produce the best tripods available epitomizing craftsmanship, quality, and functionality at its absolute best. Leofoto tripods are the culmination of first-hand experience and an abundance of contribution from seasoned professionals all over the world. We are now ready to present to you a carbon fibre masterpiece.

# RANGER

A photographic  
journey  
of creation



## No-Column Compact Design

Surprisingly strong, these lightweight tripods easily fit into the average day pack. Weighing in at only one or two pounds, their compact size and ease of operation makes them ideally suited for travellers and those on the go. If you are looking for something light with a surprisingly good load capacity, the Ranger deserves serious consideration.

## RANGER SERIES NO-COLUMN COMPACT DESIGN

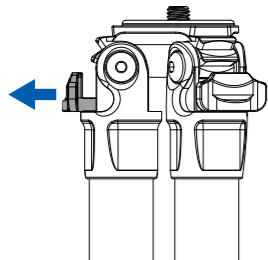
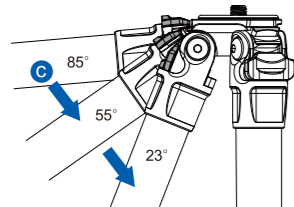
Leofoto 100% 10-layer carbon fibre tubes have a large outer diameter combined with a super-thin viscosity. This design has led to unprecedented strength-to-weight durability ratios. Rigidity and vibration reduction are further enhanced by the unique cross-patterning of each tubes' fibering structure.





### No-Column Compact Design

The Ranger series adopts a compact apex design, much smaller than tripods of same maximum tube and height.



### Semi-automatic angle stop

Pull out the angle stop, raise the leg to the desired angle, slightly press the angle stop and it will ratchet into place and lock automatically. To induce the angle stop automatic system, pull out the angle stop completely and raise the legs to horizontal position until the angle stop engages. Move the legs to the desired position and the angle stop will ratchet automatically.



**Anti-twist safety screw design**  
3 x setscrews included on the spider to secure the ball head on the tripod (turn the setscrews upwards using the included allen key).



**Platform**  
Hollowed-out apex design for lighter weight without compromising on strength.



**Hard anodizing**  
Military grade hard anodizing gives a durable surface protection and makes it resistant to corrosion.

### LS-284CVL EASILY CHANGE BETWEEN LANDSCAPE & PORTRAIT MODE

Features a built-in 90° column mechanism in its top casting which stays safely stored away until needed.



Column panning range:  
0~360°



Column tilt range:  
0~180°



# RANGER EXPLORER

The innovative centre column of the Ranger Explorer allows it to accommodate almost any shooting angle. Adjustments can be done vertically or horizontally, with a unique panning and tilting mechanism for creative framing. For those interested in macro or architectural photography, the Ranger Explorer provides options not available in more traditional tripods.





# RANGER SERIES CARBON FIBRE TRIPODS



LS-223C+LH-25  
3-SECTION CARBON FIBRE TRIPOD

370mm	118mm	270mm	3	10kg	0.72kg	22mm
14.57in	4.65in	10.63in	3	22.05lb	1.59lb	0.87in



LS-283CM+LH-30  
3-SECTION CARBON FIBRE TRIPOD

680mm	140mm	390mm	3	15kg	1.18kg	28mm
26.77in	5.51in	15.35in	3	33.07lb	2.60lb	1.10in



LS-324C+LH-40  
4-SECTION CARBON FIBRE TRIPOD

1395mm	165mm	570mm	4	15kg	1.88kg	32mm
54.92in	6.50in	22.44in	4	33.07lb	4.14lb	1.26in



LS-365C  
5-SECTION CARBON FIBRE TRIPOD

1520mm	80mm	480mm	5	20kg	1.77kg	36mm
59.84in	3.15in	18.90in	5	44.09lb	3.90lb	1.42in



## RANGER SERIES PARAMETER

Model Ranger Series							
		mm/in	kg/lb	kg/lb	mm/in	mm/in	mm/in
LS-365C	5	36 / 1.42	20 / 44.09	1.77 / 3.90	480 / 18.90	1520 / 59.84	80 / 3.15
LS-325C+LH-40	5	32 / 1.26	12 / 26.46	1.95 / 4.30	550 / 21.65	1530 / 60.24	150 / 5.91
LS-285C+LH-36	5	28 / 1.10	10 / 22.05	1.65 / 3.64	540 / 21.26	1520 / 59.84	155 / 6.10
LS-255C+LH-30	5	25 / 0.98	8 / 17.64	1.26 / 2.78	515 / 20.28	1460 / 57.48	145 / 5.71
LS-225C+LH-25	5	22 / 0.87	4 / 8.82	0.93 / 2.05	450 / 17.72	1280 / 50.39	125 / 4.92
LS-364C	4	36 / 1.42	25 / 55.12	1.77 / 3.90	540 / 21.26	1480 / 58.27	80 / 3.15
LS-324C+LH-40	4	32 / 1.26	15 / 33.07	1.88 / 4.14	570 / 22.44	1395 / 54.92	165 / 6.50
LS-284C+LH-30	4	28 / 1.10	10 / 22.05	1.43 / 3.15	530 / 20.87	1280 / 50.39	150 / 5.91
LS-284CVL	4	28 / 1.10	10 / 22.05	1.40 / 3.09	500 / 19.69	1545 / 60.83	60 / 2.36
LS-254C+LH-30	4	25 / 0.98	8 / 17.64	1.24 / 2.73	520 / 20.47	1285 / 50.59	152 / 5.98
LS-224C+LH-25	4	22 / 0.87	6 / 13.23	0.90 / 1.98	475 / 18.70	1165 / 45.87	125 / 4.92
LS-323C	3	32 / 1.26	20 / 44.09	1.42 / 3.13	650 / 25.59	1520 / 59.84	95 / 3.74
LS-283CM+LH-30	3	28 / 1.10	15 / 33.07	1.18 / 2.60	390 / 15.35	680 / 26.77	140 / 5.51
LS-253CM+LH-30	3	25 / 0.98	13 / 28.66	1.03 / 2.27	390 / 15.35	696 / 27.40	145 / 5.71
LS-223C+LH-25	3	22 / 0.87	10 / 22.05	0.72 / 1.59	270 / 10.63	370 / 14.57	118 / 4.65
LS-362C	2	36 / 1.42	45 / 99.21	1.11 / 2.45	260 / 10.24	350 / 13.78	65 / 2.56

# RANGER SERIES CARBON FIBRE TRIPODS



LS-362C  
2-SECTION CARBON FIBRE TRIPOD

350mm 13.78in	65mm 2.56in	260mm 10.24in	2	45kg 99.21lb	1.11kg 2.45lb	36mm 1.42in



LS-225C+LH-25  
5-SECTION CARBON FIBRE TRIPOD

1280mm 50.39in	125mm 4.92in	450mm 17.72in	5	4kg 8.82lb	0.93kg 2.05lb	22mm 0.87in



LS-284CVL  
4-SECTION CARBON FIBRE TRIPOD

1545mm 60.83in	60mm 2.36in	500mm 19.69in	4	10kg 22.05lb	1.40kg 3.09lb	28mm 1.10in



LS-365C+PG-1 (Camouflage)  
5-SECTION CARBON FIBRE TRIPOD

1778mm 70.00in	330mm 12.99in	745mm 29.33in	5	20kg 44.09lb	2.82kg 6.22lb	36mm 1.42in

## COMPACT & LIGHTWEIGHT

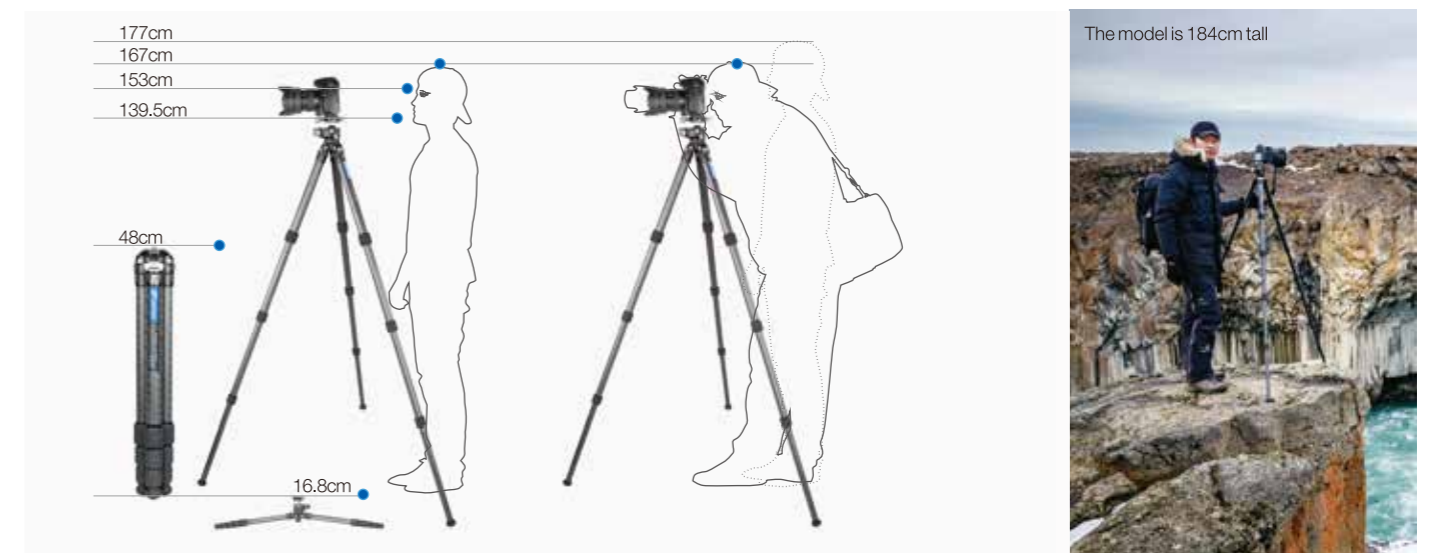
The compact and lightweight size of the Ranger Series means that they fit easily into a carry-on case – perfect for travellers and those on the go.

1. Tripods with folded length less than 480mm/18.9 inch can fit into 20-inch case vertically. (Fig.1)
2. Tripods with folded length between 480mm/18.9 inch and 560mm/22 inch needs to be placed diagonally. (Fig.2)



## TRIPOD HEIGHT REFERENCE

LS-324C+LH-40R is taken as an example





# CEX RANGER LEVELLING

Tilt range: -15°/+15°



## RANGER LEVELLING SERIES TRIPODS

The Ranger Levelling Tripods have a versatile level and tilt features designed to meet the specific needs of sports and nature photographers. Avid bird watchers and videographers who are interested in capturing "that perfect moment", will appreciate this tripod's enhanced tilt range, portability, and precision-tooled build quality.



### NO-COLUMN COMPACT DESIGN

A unique combination of photo and video which features a creative and advanced support system for photographers, bird watchers and sport optics. The tilt range is designed with maximum versatility and portability for indoor and outdoor use.

### ANTI-TWIST SAFETY SCREW DESIGN

3 x setscrews included on the spider to secure the ball head on the tripod (simply turn the setscrews upwards using the allen key included to secure the ball head). Followed out apex design that does not compromise on strength or rigidity.

# LIGHTWEIGHT PHOTO AND VIDEO TRIPODS

A great option for photographers & videographers

Since the second half of 2019, Leofoto released various photo and video tripods in the Ranger CEX Series. Innovatively and uniquely designed, tripods are based on the Ranger series; compact, stable, and easy-to-carry. Featuring an integrated levelling base, which increases the flexibility of the tripods on uneven terrains, this allows levelling to be done easily without the need to adjust the tripod legs.



# RANGER SERIES (Levelling) CARBON FIBRE TRIPODS



LS-324CEX  
4-SECTION CARBON FIBRE TRIPOD

1526mm 60.08in	100mm 3.94in	560mm 22.05in	4 4	15kg 33.07lb	1.61kg 3.55lb	32mm 1.26in



LS-365CEX  
5-SECTION CARBON FIBRE TRIPOD

1555mm 61.22in	102mm 4.02in	515mm 20.28in	5 5	15kg 33.07lb	1.95kg 4.30lb	36mm 1.48in

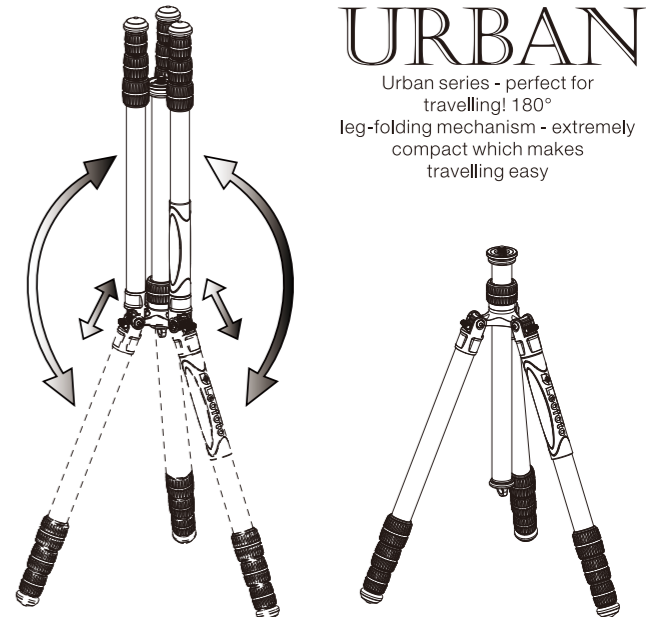


Model							
		mm/in	kg/lb	kg/lb	mm/in	mm/in	mm/in
LS-324CEX	4	32/1.26	15/33.07	1.61/3.55	560/22.05	1526/60.08	100/3.94
LS-284CEX	4	28/1.10	10/22.05	1.33/2.93	535/21.06	1475/58.07	85/3.35
LS-365CEX	5	36/1.42	15/33.07	1.95/4.30	515/20.28	1555/61.22	102/4.02
LS-325CEX	5	32/1.26	10/22.05	1.62/3.57	485/19.09	1465/57.68	90/3.54
LS-285CEX	5	28/1.10	8/17.64	1.35/2.98	476/18.74	1468/57.80	102/4.02
LS-255CEX	5	25/0.98	6/13.23	1.03/2.27	450/17.72	1406/55.35	83/3.27
LS-225CEX	5	22/0.87	4/8.82	0.88/1.94	449/17.68	1400/55.12	84/3.31
LS-223CEX	3	22/0.87	5/11.02	0.61/1.34	220/8.66	317/12.48	73/2.87



**180° LEG-FOLDING MECHANISM - EXTREMELY COMPACT WHICH MAKES TRAVELLING EASY**

The Urban Series tripods are remarkably lightweight but also as solid as a rock. A removable centre column and a versatile ball head with friction knob are included. If you are looking for a perfect travel buddy, the Urban tripods will serve your needs!

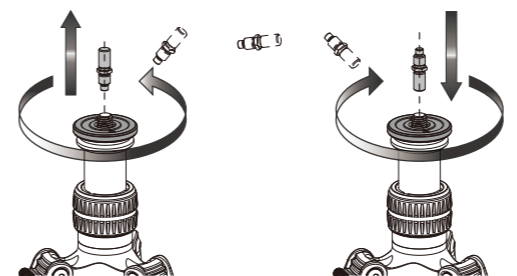


**URBAN**  
 Urban series - perfect for travelling! 180° leg-folding mechanism - extremely compact which makes travelling easy



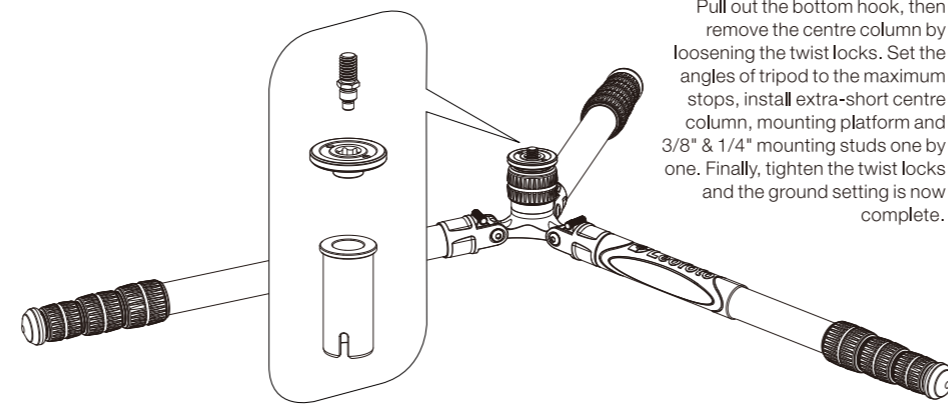
**PROFESSIONAL PHOTOGRAPHIC SUPPORTS**  
**PERFECT FOR TRAVELLING**

**3/8" & 1/4" Mounting stud**  
 Turn the mounting platform fully clockwise and pull out the mounting stud. Then, installing it upside down, turn the mounting platform anti-clockwise to lock.



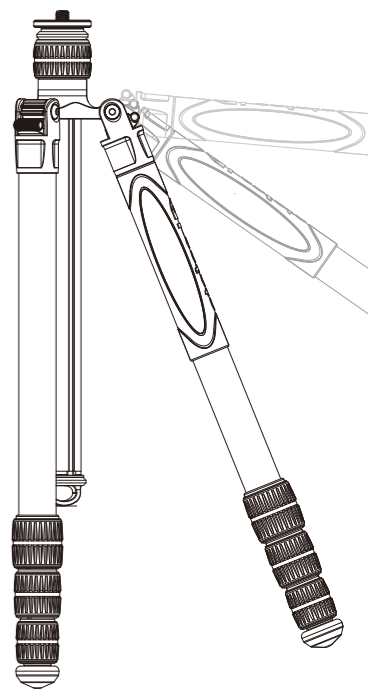
# URBAN SERIES 180° LEG-FOLDING MECHANISM

The legs can be reverse folded 180°.



## Ground Setting

Pull out the bottom hook, then remove the centre column by loosening the twist locks. Set the angles of tripod to the maximum stops, install extra-short centre column, mounting platform and 3/8" & 1/4" mounting studs one by one. Finally, tighten the twist locks and the ground setting is now complete.



## MAKES TRAVELLING EASIER





LX-255CT+XB-32  
5-SECTION CARBON FIBRE TRIPOD

1390mm 54.72in	200mm 7.87in	360mm 14.17in	5 5	8kg 17.64lb	1.33kg 2.93lb	25mm 0.98in



LX-254CT+XB-32  
4-SECTION CARBON FIBRE TRIPOD

1630mm 64.17in	200mm 7.87in	450mm 17.72in	4 4	8kg 17.64lb	1.41kg 3.11lb	25mm 0.98in



LX-284CT+XB-38  
4-SECTION CARBON FIBRE TRIPOD

1687mm 66.42in	225mm 8.86in	470mm 18.50in	4 4	10kg 22.05lb	1.66kg 3.66lb	28mm 1.10in



LX-324CT+XB-38  
4-SECTION CARBON FIBRE TRIPOD

1735mm 68.31in	220mm 8.66in	485mm 19.09in	4 4	15kg 33.07lb	2.01kg 4.43lb	32mm 1.26in

## Ground Setting

Pull out the bottom hook, then remove the centre column by loosening the twist locks. Set the angles of tripod to the maximum stops, install extra-short centre column, mounting platform and 3/8" & 1/4" mounting studs one by one. Finally, tighten the twist locks and the ground setting is now complete.



## Tripod Bags

Our tripod bags have been redesigned to fit the latest Leofoto tripod models and head combinations and to improve comfort during carriage and handling. The new bags are made from rip-stop fabric, which is both softer to the touch and resistant against tearing and abrasion.



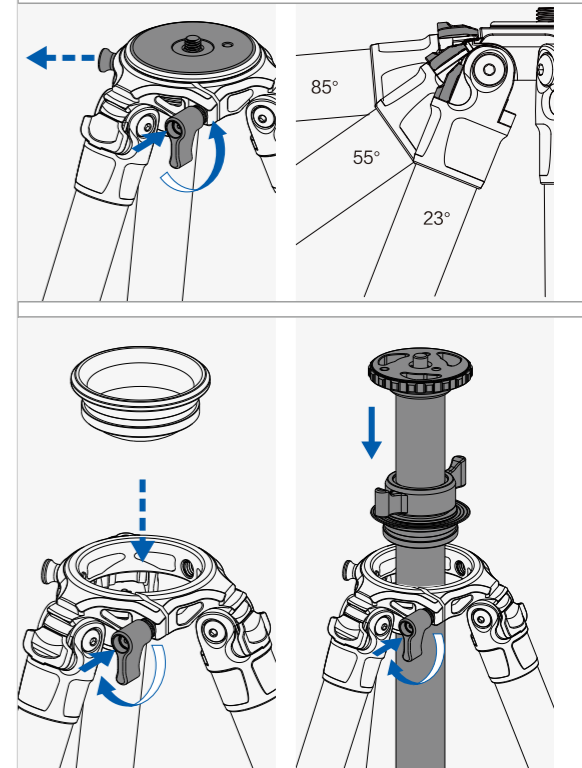
Installing centre column in reverse.





# TRIPODS FOR HEAVY EQUIPMENT

**SUPER-LIGHT MODULAR TRIPODS**  
MODULAR OPERATING PLATES FOR VARIOUS POSSIBILITIES



**SUMMIT LM**  
*Tripods for heavy cameras and lenses*

# SUMMIT SERIES

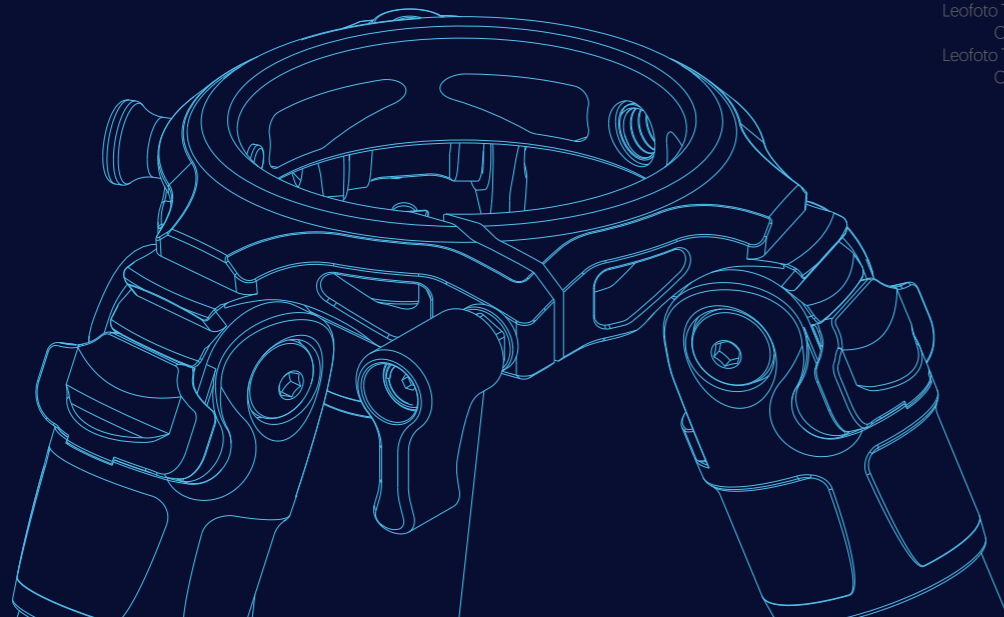
Our Summit Series tripods are designed to handle extremely heavy loads and are equipped with a modular operating platform. Their top element, capable of opening and closing, can be adjusted to support a flat disc sliding central column, video half-ball adaptor, levelling base and an extensive number of other accessories. Ergonomically designed for quick setup, durability and ease of operation, some models can accommodate loads of more than 100lbs! For those that need a tripod that will remain stable under the most demanding conditions, this tripod more than fits the bill.

Taking It Further

## SUPER LIGHT TRIPOD. PLATFORM

**SUPER-LIGHT TRIPOD**  
Recognised as one of China's leading manufacturers of specialized photography equipment, Leofoto constantly strives to create well-crafted tripods and accessories. With 300 employees and skilled engineers in the family, our plant can produce up to 2,000 tripods per day. The Leofoto management team strongly believes in investing in R&D and maintaining a capable team. They also understand and incorporate customers' feedback to design the most innovative products

Leofoto's strongest and most stable series of modular carbon tripods  
An operating platform with infinite creativity  
Leofoto Tripod Apex  
Other Brands  
Leofoto Tripod Apex  
Other Brands



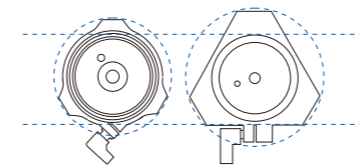
### Larger Apex Cavity

The apex cavity of the Summit series is designed to be as large as possible without compromising on strength.

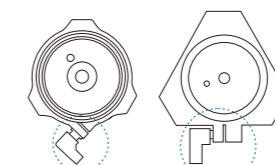


### Leofoto's strongest and most stable series of modular carbon tripods.

An operating platform with infinite creativity.



Leofoto Tripod Apex other brands



Leofoto Tripod Apex other brands



**Compact Tripod Apex Design**  
Features a much smaller diameter than tripods with the same maximum tube and height.



**New Tripod Apex Lock Design**  
Press the apex lock to engage and turn it to lock/unlock the apex.



**Acrylic Hot Stamping**  
Acrylic gasket can effectively reduce the wear at the bottom of the equipment and the hot stamping process on the surface shows the grade.

# EASY LINKS

Mounting holes on the apex of the tripod are perfect for magic arm or smartphone clamp.



3/8" Anti-twist adapter

Lock lever

Lock screw for allen key

## Features

**Offset Leg Joints:** Tripods must occasionally withstand significant torsion loads so it is crucial that the leg angle stops, and all other structural joints are well supported. Our patented offset leg joints fully support the leg angle stops, allowing loads to be transferred straight through the strongest elements of the tripod. This also means the tripod is more compact when collapsed.

**Rubber Ball Feet:** Large diameter teardrop-shape keeps leg sidewalls from touching the ground even at the lowest settings and makes positive contact with the ground at virtually any angle.

**High visibility bullseye spirit level** is embedded in the apex for accurate levelling.

**Twist Grip Leg Extension Locks:** Textured semi-hard rubber allows for easy adjustments and strong grip. Anti-twist leg sections mean each twist lock can be operated independently.



## Changing Platform, Video Bowl & Centre Column

Allows quick and very secure change-out from a simple platform to a Versa Quick-Column or YB Series Levelling Bases.



Model Summit Series	▬	🎯	🏋️	🏋️	🏠	🏠	🏠	🏠
	mm/in	kg/lb	kg/lb	mm/in	mm/in	mm/in	mm/in	mm/in
LM-405C	5	40/1.57	30/66.14	2.45/5.40	100/3.94	530/20.87	1656/65.20	100/3.94
LM-365C	5	36/1.42	25/55.12	1.97/4.34	75/2.95	490/19.29	1540/60.63	80/3.15
LM-404C	4	40/1.57	40/88.18	2.50/5.51	100/3.94	630/24.80	1780/70.08	115/4.53
LM-404CL	4	40/1.57	40/88.18	2.69/5.93	100/3.94	720/28.35	2135/84.06	128/5.04
LM-364C	4	36/1.42	30/66.14	1.92/4.23	75/2.95	530/20.87	1450/57.09	90/3.54
LM-364CL	4	36/1.42	30/66.14	2.05/4.52	75/2.95	598/23.54	1700/66.93	96/3.78
LM-324C	4	32/1.26	25/55.12	1.62/3.57	75/2.95	520/20.47	1450/57.09	75/2.95
LM-324CL	4	32/1.26	25/55.12	1.82/4.01	75/2.95	678/26.69	2020/79.53	103/4.06
LM-363C	3	36/1.42	35/77.16	1.85/4.08	75/2.95	595/23.43	1350/53.15	95/3.74
LM-323C	3	32/1.26	25/55.12	1.58/3.48	75/2.95	610/24.02	1400/55.12	100/3.94
LM-402C	2	40/1.57	50/110.23	1.58/3.48	100/3.94	298/11.73	415/16.34	80/3.15
LM-362C	2	36/1.42	45/99.21	1.29/2.84	75/2.95	275/10.83	370/14.57	70/2.76





# SUMMIT SERIES CARBON FIBRE TRIPODS



LM-362C  
2-SECTION CARBON FIBRE TRIPOD

370mm 14.57in	70mm 2.76in	275mm 10.83in	75mm 2.95in	2 2	45kg 99.21lb	1.29kg 2.84lb	36mm 1.42in



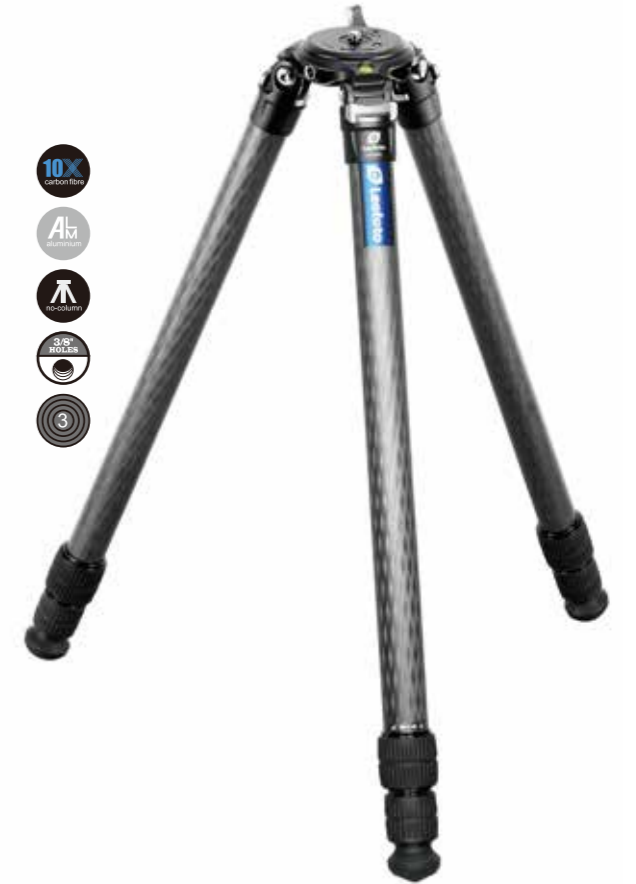
LM-365C  
5-SECTION CARBON FIBRE TRIPOD

1540mm 60.63in	80mm 3.15in	490mm 19.29in	75mm 2.95in	5 5	25kg 55.12lb	1.97kg 4.34lb	36mm 1.42in



LM-364C  
4-SECTION CARBON FIBRE TRIPOD

1450mm 57.09in	90mm 3.54in	530mm 20.87in	75mm 2.95in	4 4	30kg 66.14lb	1.92kg 4.23lb	36mm 1.42in



LM-363C  
3-SECTION CARBON FIBRE TRIPOD

1350mm 53.15in	95mm 3.74in	595mm 23.43in	75mm 2.95in	3 3	35kg 77.16lb	1.85kg 4.08lb	36mm 1.42in

## SUMMIT LM TAKING IT FURTHER



LM-365C(Camou)

# Monopods



OUR CARBON FIBRE MONOPODS ARE A SINE QUA NON FOR THE AVID WILDLIFE PHOTOGRAPHER.

Those working in the field with longer lenses will appreciate the versatility and sturdy build construction.

## Super-ground Tripod

BV series fluid heads are compact and well suited for DSLR and compact camcorders, but also quite useful for medium sized spotting scopes.



CNC machined 6061-T6 Aluminum



Convertible mounting stud



## Wide Range of Sizes

Superior quality and precision engineered for better performance and durability. CNC machined 6061-T6 Aluminium Convertible mounting stud



Model	mm/in	mm/in	mm/in	kg/lb	g/lb	mm/in
MP-284C	1650/64.96	523/20.59	4	18/39.68	414/0.91	28/1.10
MP-285C	1530/60.24	433/17.05	5	15/33.07	412/0.91	28/1.10
MP-326C	1555/61.22	415/16.34	6	15/33.07	485/1.07	32/1.26
MP-364C	1700/66.93	545/21.46	4	20/44.09	584/1.28	36/1.42
MP-365C	1755/69.09	495/19.49	5	17/37.48	598/1.32	36/1.42
MP-366C	1650/64.96	440/17.32	6	15/33.07	585/1.29	36/1.42

# MT-03

Minitripod



Professional photographic support  
**TAKING IT FURTHER**

# SMALLER LIGHTER MORE STABLE

Mini tripods are just as reliable as their full-sized counterparts, allowing you to bring a solid, versatile tripod with you always.





MT-03 Ball head Table Tripod  
**BUILT LIGHT, BUILT RIGHT**  
 Turning our ideas into reality



3 Angle Stops Available  
 Thumb slide angle-stops enable the tripod to splay to three positions.



**STABLE AND FLEXIBLE**

Easily stabilises into rocks, woods, glass, or metal.



**1/4" Mounting Thread**

Each leg has 5pcs UNC 1/4" universal screw holes, which can be used with the Leofoto AM series magic arms.



**MT-03 Mini Tripod**

Max. height	186mm/7.32in
Min. height	35mm/1.38in
Folded length	145mm/5.71in
Leg section	2
Max load	5kg/11.02lb
Weight	162g/0.36lb

**Smaller. Lighter. More Stable.**

Compact  
 Super stability  
 Perfect for travellers  
 CNC machined from aircraft aluminium alloy  
 Military grade hard anodization



## Handheld Stabiliser & Tripod

The legs can be held together to serve as a handheld stabiliser, or they can be splayed out completely to create a solid tripod.



**High-End Material** CNC precision-machined from aluminium alloy and hard anodization.

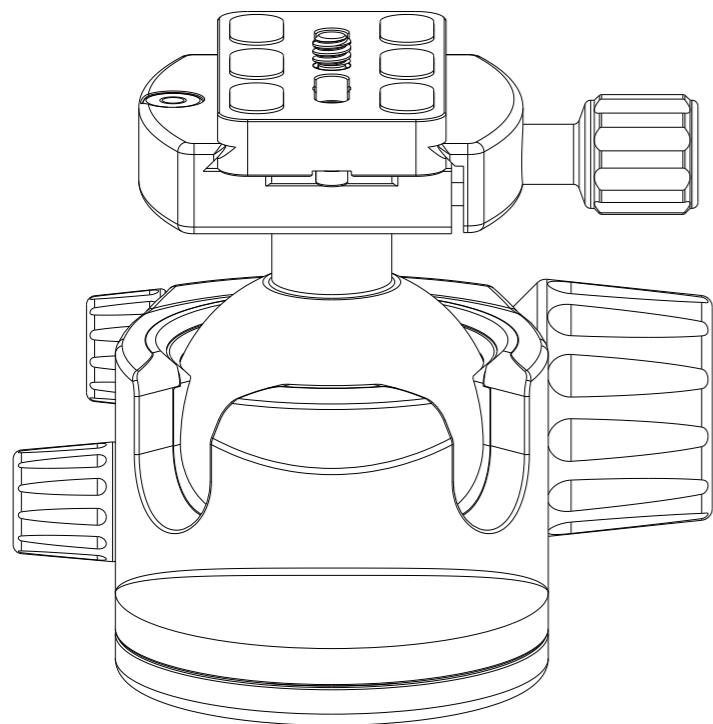
**3 Positions Available** Thumb slide angle-stops enable the tripod to splay to three positions. Automatic adjustment button & fast control.



# BALL HEAD FAMILY

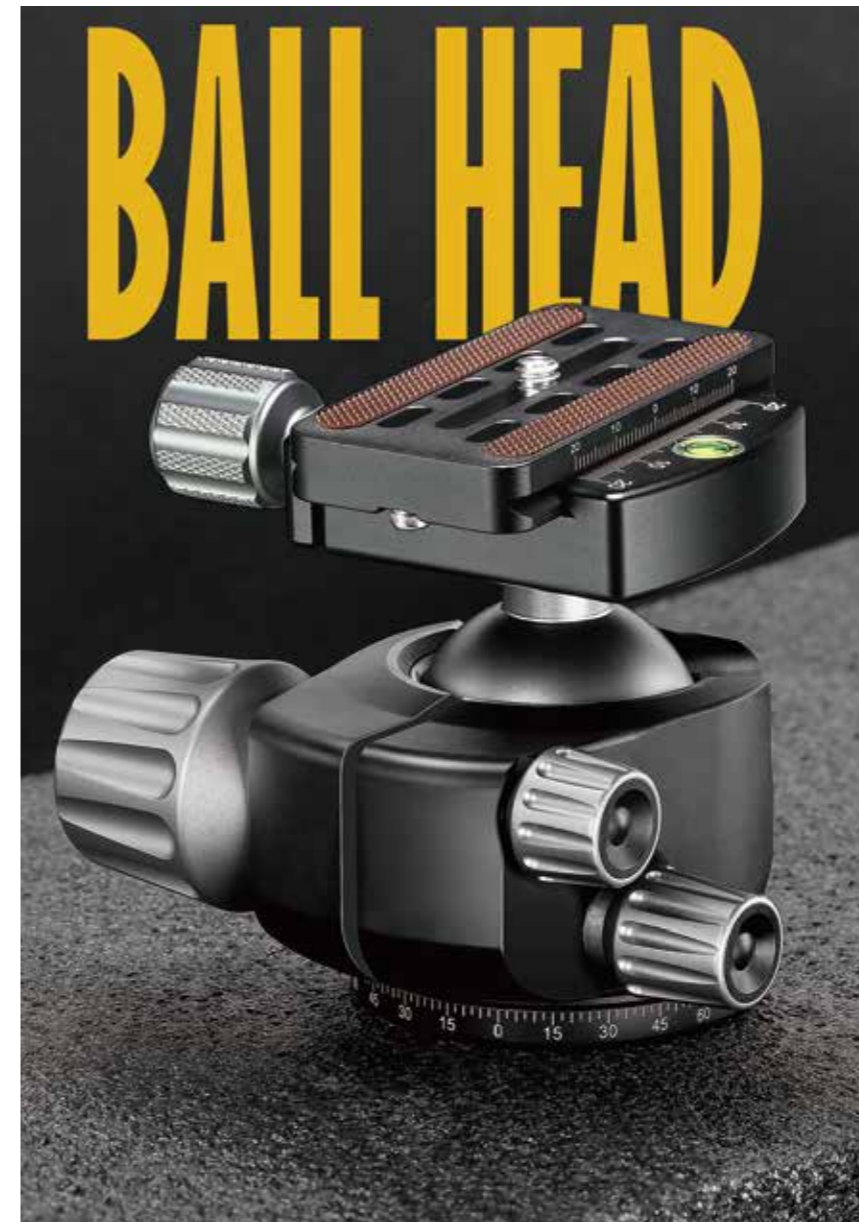
## Dual drop-notches and low profile ball heads

Our professional ball heads are designed to support heavy loads and their ergonomic design facilitates smooth and efficient operation. Relative to the more traditional 3-axis pan and tilt heads, these heads are inherently easier to operate. Lacking a long panning handle, they fit easily into the average camera bag and take up less space. Aiming, levelling, and locking is accomplished by a simple twist of one control knob with minimal torque. Five head sizes, varying in load capacity and weight, have been designed to match the balance the specification requirements of Leofoto tripods.





LS-324C+LH-40



# LOW PROFILE BALL HEADS

## Extensive Field Use

The LH series delivers solid performance in all weather and temperature ranges and extensive field use has proven the effectiveness of our innovative design. Its low profile, precision control knobs, and rugged housing make the LH series the ball head of choice for both seasoned professionals and enthusiastic amateurs.

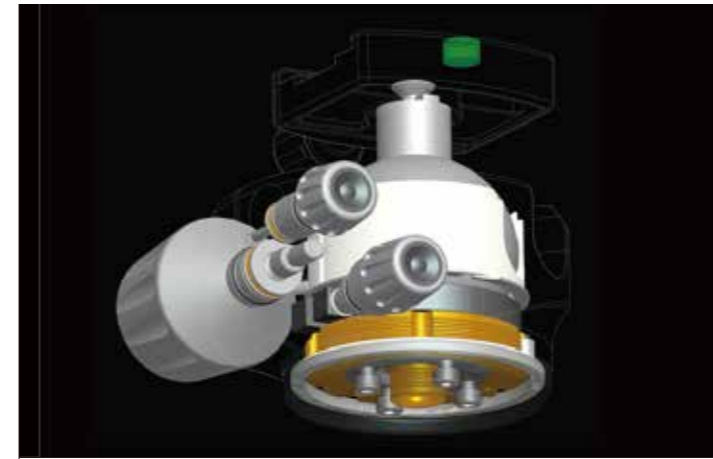
## Features

- \* Ergonomic large main locking knob gives easy handling
- \* Low height profile gives better reliability
- \* Precisely machined ball makes the movement silky smooth
- \* Dual drop notches allow you easily change from landscape mode to portrait mode or other angle shots.
- \* Laser-engraved scales on the panning base, easily and precisely control during panorama shooting.

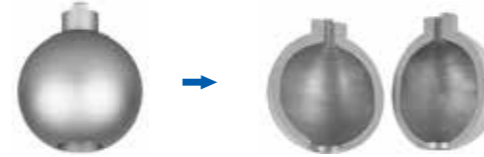


# DUAL DROP-NOTCHES AND LOW-PROFILE BALL HEAD

We believe that your investment should be rewarded with years of satisfaction. The LH series offers up to 45 degrees of tilt in all directions, and up to 90-degrees in the two drop-notches. The knurled main lock knob independently controls the tension of the main ball joint. The midsize knurled knob features independent control of the panning base, which has laser-engraved degree markers every 2.5 degrees. The smaller spade knob always works in union with the main lock knob to set a minimum amount of resistance on the ball joint, independent of the main lock knob being fully loosened or not.



0.01mm tiny fault tolerance and large ball cavity.



## Internal Structure of Ball Head



Every part is of superior quality and precision-engineered for better performance and durability.



## BALLHEADS



LH-25 LH-25R LH-30 LH-30LR LH-30R LH-30PCL LH-36 LH-36LR LH-36R LH-36PCL LH-40 LH-40LR LH-40I LH-40PCL LH-40R LH-55 LH-55R



# LH Series BALL HEADS



**LH-30 LOW PROFILE BALL HEAD  
WITH BPL-50 QUICK RELEASE PLATE**

30mm 1.18in	47mm 1.85in	74mm 2.91in	3/8" 3/8"	15kg 33.07lb	275g 0.61lb



**LH-36 LOW PROFILE BALL HEAD  
WITH QP-70N QUICK RELEASE PLATE**

36mm 1.42in	52mm 2.05in	84mm 3.31in	3/8" 3/8"	18kg 39.68lb	410g 0.90lb



**LH-40 LOW PROFILE BALL HEAD  
WITH QP-70N QUICK RELEASE PLATE**

40mm 1.57in	57mm 2.24in	87mm 3.43in	3/8" 3/8"	20kg 44.09lb	491g 1.08lb



**LH-55 LOW PROFILE BALL HEAD  
WITH QP-70N QUICK RELEASE PLATE**

55mm 2.17in	72mm 2.83in	98mm 3.86in	3/8" 3/8"	25kg 55.12lb	812g 1.791lb



**LH-25 LOW PROFILE BALL HEAD  
WITH PU-25 QUICK RELEASE PLATE**

25mm 0.98in	36mm 1.42in	67mm 2.64in	3/8" 3/8"	6kg 13.23lb	172g 0.38lb



**LH-40 (Camouflage) BALL HEAD  
WITH QP-70N QUICK RELEASE PLATE**

40mm 1.57in	57mm 2.24in	87mm 3.43in	3/8" 3/8"	20kg 44.09lb	491g 1.08lb



**LH-55 (Camouflage) BALLHEAD  
WITH QP-70N QUICK RELEASE PLATE**

55mm 2.17in	72mm 2.83in	98mm 3.86in	3/8" 3/8"	25kg 55.12lb	812g 1.791lb

## SEPARATE KNOB CONTROL

The ball head has 3 separated knobs for locking the ball, base and adjusting tension of the ball.

### Main Locking Knob

Ergonomic large main locking knob incorporates stainless steel ball bearings for a lifetime of silky-smooth control with easy handling



### Drag/Friction Knob

The friction knob is separate, and its drag tension adjustment is repeatable and reliable

### Panning Base Knob

Laser-engraved scales on the panning base for easy and precise control during panorama shooting



**NB SERIES** NB Series ball heads come with panoramic panning clamps. Available in three sizes (compact, medium, and large), they are included in our Armor Series tripod kits. The friction knob is designed to control drag in recesses within the ball heads main lock knob.

## VARIOUS QR CLAMP OPTIONS

Screw-knob, lever-release and panning are available for each head.



Screw-Knob Clamps

Lever-Release Clamps






Panning Clamps



NB-46

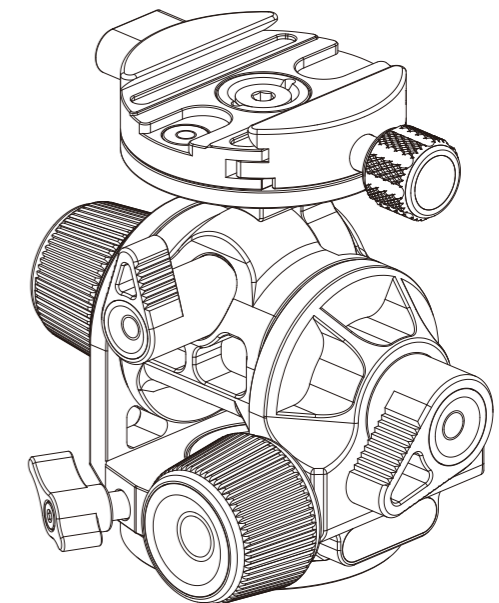
NB-40

NB-34

Model	 mm/in	 mm/in	 mm/in	 kg/lb	 g/lb
NB-34+NP-50	34/1.34	45/1.77	91/3.58	3/8"	20/44.09 340/0.75
NB-40+NP-50	40/1.57	51/2.01	95/3.74	3/8"	25/55.12 470/1.04
NB-46+NP-60	46/1.81	56/2.20	102/4.02	3/8"	30/66.14 610/1.34



# Geared Adjustment Precise position



A GEARED HEADS

# GEARED HEAD

TAKING IT FURTHER 20.05.09  
PROFESSIONAL PHOTOTRAPHIC SUPPORT



# DESIGNED TO PIVOT WITH PRECISION & ACCURACY

Pitch (perspective control), Roll (levelling) and Yaw (panning) can be achieved via the use of the geared design in these 3 directions, allowing independent control as well as precise movement to achieve pinpoint composition often required by architectural and product macro photographers. By releasing the pitch/roll quick release lever, one can have quick adjustments in the respective pitch/roll axis, then lock it, and use the large knobs for final precise adjustments. There is also panning function at the bottom (non-geared), allowing for quick positioning purpose.



**G4** PRECISE LOCATION  
GEARED ADJUSTMENT

## 3 DIRECTIONS CONTROLLED SEPARATELY

The innovative G4 Plus combines movement of pitch, roll and panning (top and bottom) to allow 4 different adjustments. Highly suited for architectural and product macro photographers for its flexibility to choose between fast adjustment and fine movements when needed.





**±10°** Precise adjustment up to a range of +/- 10° in the X or Y axes

The G2 is designed with a pinpoint gear-driven knob, so the photographer can fine tune the camera position in both pitch and roll axes. The geared mechanisms have been designed to move radially over the centre and yet smoothly in a self-locking manner. On top of the geared mechanisms, is a panoramic clamp which allows adjustments to correct horizontal distortions. It can be installed onto an existing ball head with its Arca Swiss plate base or via a 3/8" female screw thread to another device.



Stainless steel precision screw and internal brass slider for silky smooth operation



Knurled knob to control gear-driven mechanism, finely sculpted by a 5-axis CNC machine.

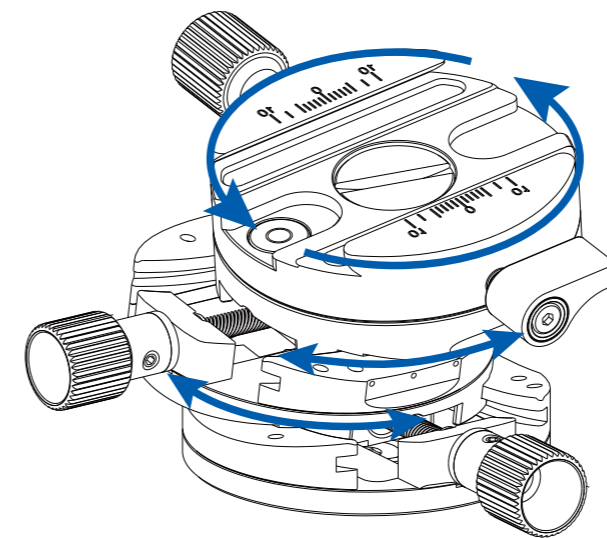
## 3 in 1 Panorama-geared Ball Head

An ergonomic large main locking knob gives easy handling and a low profile gives better reliability. This precisely machined ball gives a silky-smooth movement and the dual drop-notches allow easy orientation mode switching. The friction knob has scales that serve as a reference for control of tension. Laser-engraved scales on the panning base for easy and precise control during panorama shooting

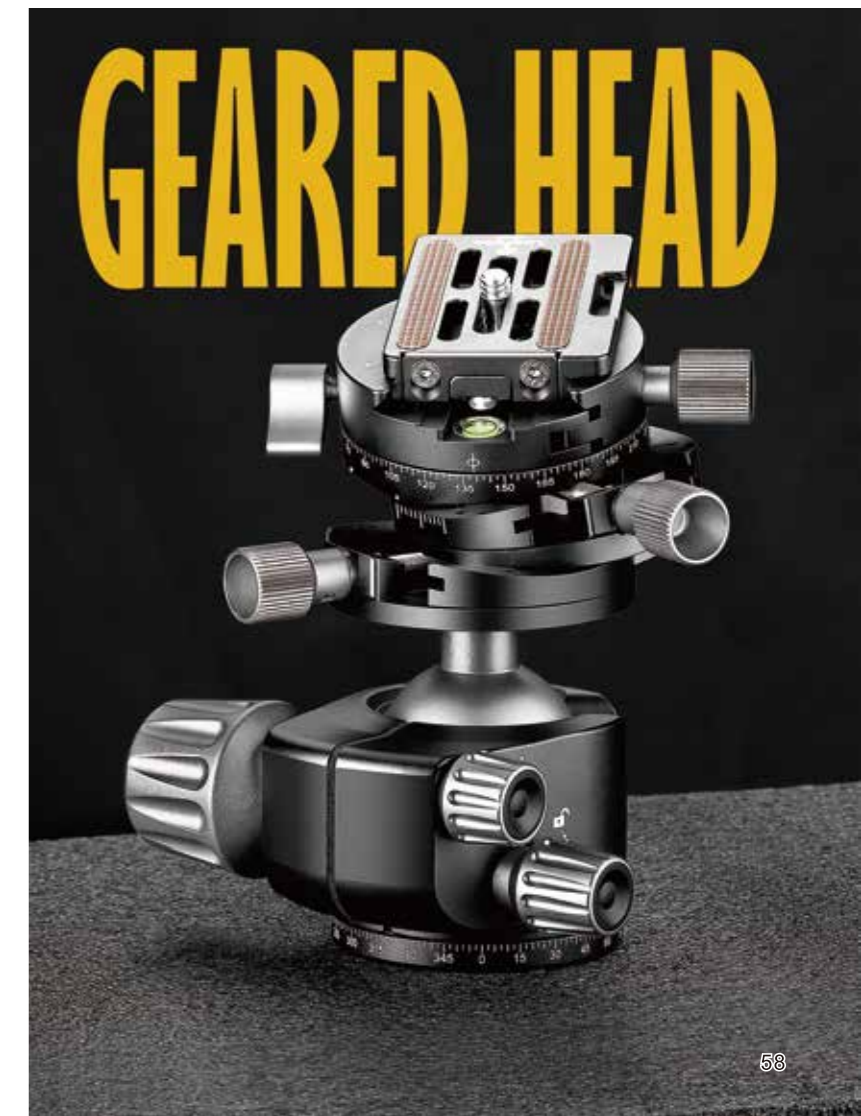
**3D**  
geared adjustment

**Fast**  
ball adjustment

**360°**  
double panorama adjustment



Model	mm/in	mm/in	mm/in	3/8"	kg/lb	g/lb
G4+NP-60	60/2.36	108/4.25	3/8"	20/44.09	690/1.52	
G4*+NP-60	60/2.36	130/5.12	3/8"	20/44.09	820/1.80	
G2+NP-60	60/2.36	62/2.44	3/8"	20/44.09	365/0.80	
GR-1+NP-60	60/2.36	46/1.81	3/8"	20/44.09	250/0.55	
LH-40GR+NP-60	40/1.57	57/2.24	128/5.01	3/8"	20/44.09	740/1.63



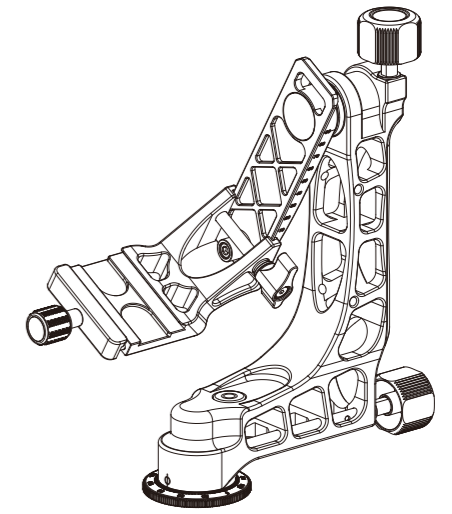
# PG-1

## GIMBAL HEAD



### Large Max Loading

Made from Ball head T6061, the PG-1 Gimbal head embraces an exoskeletal structure that is strong but also lightweight enough to support many telephoto lenses. The integrated Arca Swiss clamp makes fixing of the long lens Arca Swiss plates easy. At the bottom, the PG-1 has a 3/8" female hole to fix to a tripod mount.





# BLACK AND CAMOUFLAGE AVAILABLE



Height	255mm	10.04in
Base diameter	60mm	2.36in
Mounting screw	3/8"	
Max load	25kg	55.12lb
Weight	1kg	2.20lb



## Lightweight – 2.2lb

Compact and lightweight device for those who need to travel light but are not willing to compromise on stability and performance. This is the perfect gimbal head for backpackers or world travellers.



# FLUID HEADS

The BV series of Fluid Heads are extremely compact and low-profile, combining beautiful and ergonomic design for ease of balancing. The aircraft-grade aluminium and Ball head parts offer solid and strong structure.



- \* Aircraft Grade Aluminum
- \* CNC Precision Machined Parts
- \* Hard Anodized

Model	BV-30	
Height	153mm	6.02in
Base diameter	76mm	2.99in
Tilt angle	+90° / -75°	
Panning base	360°	
Max balance load	10kg	22.05lb
Max load	20kg	44.10lb
Weight	1.8kg	3.97lb
Type	Arca-Swiss	

## BV-30

Arca-Swiss type QR plate and clamp



- \* Aircraft Grade Aluminum
- \* CNC Precision Machined Parts
- \* Hard Anodized

Model	BV-10/BV-10M	
Height	98mm	3.86in
Base diameter	60mm	2.36in
Tilt angle	+90° / -75°	
Panning base	360°	
Max load	5kg	11.02lb
Weight	0.70kg	1.54lb
Type	Arca-Swiss/Manfrotto	

## BV-10

Arca-Swiss type QR plate and clamp

## BV-10M

Manfrotto type QR plate and clamp

# MINI FLUID HEADS

The BV MINI series of Fluid Heads are extremely compact and low-profile combining beautiful and ergonomic design for ease of balancing. The aircraft-grade aluminium and CNC machined parts offer solid and strong structure.

- \* Aircraft grade ball head
- \* CNC Precision-machined parts
- \* Hard anodized



- \* Aircraft Grade Aluminum
- \* CNC Precision Machined Parts
- \* Hard Anodized

Model	BV-1	BV-5
Height	82mm/3.23in	82mm/3.23in
Base diameter	46mm/1.81in	50mm/1.97in
Tilt angle	+90°   -75°	
Panning base	360°	
Max load	3kg/6.61lb	4kg/8.82lb
Type	Arca-Swiss	

# 4-WAY HEAD

The FW-01 4-way head is compact, precise, and reliable. The aluminium body makes it lightweight, durable, and sturdy. With its innovative foldable levers design, it allows easy transportation of the FW-01 when not in use, making this the most compact fluid head in the market. The frictional controls on both horizontal and vertical axes allows weight balancing of equipment, while the locking knobs can be left open until all adjustments are done. Laser engraved angular scales and 3 levelling bubbles allows repeatable adjustments and reduced postproduction work.



- \* Aircraft Grade Aluminum
- \* CNC Precision Machined Parts
- \* Hard Anodized

Model	FW-01	
Height	113mm	4.45in
Base diameter	46mm	1.81in
Tilt angle	+90° / -30°	
Panning base travel	360°	
Max load	10kg	22.05lb
Weight	0.70kg	1.54lb
Style	Arca-Swiss	



# MINI BALL HEADS

Leofoto mini ball heads are versatile and lightweight, designed for shooting with mobile phones, and strong enough for DSLRS.



Model	Ball diameter (mm/in)	Height (mm/in)	Mounting screw	Max load (kg/lb)	Weight (g/lb)
MBH-19	19/0.75	49/1.93	1/4"	2/4.41	84/0.18
F-19	19/0.75	54/2.13	1/4"	5/11.02	66/0.15
MBC-18	18/0.71	39/1.54	1/4"	5/11.02	83/0.18
MBC-20	16/0.63	53/2.09	1/4"	8/17.64	105/0.23

## Panning Micro Ball.

The MBC-20 is a versatile and lightweight platform that is perfect for shooting panoramas with mobile phones and strong enough for DSLRS.



# LEVELLING BASES

A levelling base on a tripod is the perfect foundation for gimbal heads, fluid heads and even ball heads. A great match with small/medium size cameras, with the ease of quick levelling without having to adjust the tripod legs angle/length. CNC cutting-machined from lightweight aircraft-grade aluminium, and anodized surface finish for better abrasion and corrosion resistance. 60/65/75mm diameter platform, for sturdy construction.



Model	Diameter (mm/in)	Height (mm/in)	Level adjustment	Mounting stud	Mounting hole	Max load (kg/lb)	Weight (g/lb)
LB-60N	60/2.36	50/1.97	±15°	3/8"	3/8"	15/33.07	206/0.45
LB-65	65/2.56	53/2.09	±15°	3/8"	3/8"	18/39.68	234/0.52
LB-75	75/2.95	59/2.32	±15°	3/8"	3/8"	25/55.12	322/0.71
LB-75S	81/3.19	77/3.03	±15°	3/8"	3/8"	25/55.12	346/0.76

## +/- 15° Damping Range

Regardless of the terrain, each levelling base offers +/- 15° of levelling capability and locks solidly with just a twist. When the terrain is tough, choose a levelling base with the flat platform for direct mounting of tripod head.



**Allen Key**  
Use the attached allen key to strengthen locking when heavy lifting is needed.



**Anti-Twist Safety Screws Design**  
Turn the setscrews upwards using the allen key included to secure the ball head on top.



**Butterfly Knob**  
Twist the butterfly knob to lock & unlock the base

# MONOPOD HEADS

Leofoto monopod heads are compact, smooth and can tilt 180 degrees even with large telephoto lenses. Whether you want to capture a bird in a tree or on the ground, the head manages the situations effortlessly. The large knurled tilt-lock knob is easy to grip and operate, even when wearing gloves. Its internal mechanism will auto-align as you tighten to ensure a perfect alignment with the main tilt axis of the head below. In addition to the standard 3/8" threaded socket, there's also a panning base for panoramic photography.



VH-20 | 360° PANNING BASE

48mm	102mm	3/8"	12kg	436g
1.89in	4.02in	3/8"	26.46lb	0.96lb



VH-10 | ARCA STANDARD DOVETAIL BASE

43mm	90mm	3/8"	10kg	360g
1.69in	3.54in	3/8"	22.05lb	0.79lb

# PANORAMA HEADS

For serious shooters of panoramas, particularly those who do a lot of stitching together multiple images, we offer state-of-the-art accessories.

Leofoto modular pano-heads give the photographers versatile control over both vertical and horizontal panning. Single and multi-row stitching is facilitated using component accessories specifically engineered to tackle the most difficult panning situations. Our nodal slides, levelling bases, L-plates, and clamping devices have been machine-tooled to handle very heavy loads under exacting conditions. In instances where the scene you are shooting is either far away or its salient features are in the same plane, shooting panoramas is relatively easy. In other instances, parallax error is an inherent problem.



Model	LEP-02
Mounting hole	3/8"
Max load (kg/lb)	8/17.64
Weight (kg/lb)	1.22/2.68



VH-30R | 360° PANNING CLAMP

60mm	105mm	3/8"	15kg	447g
2.36in	4.13in	3/8"	33.07lb	0.98lb



VH-30 | SCREW-KNOB CLAMP

60mm	102mm	3/8"	15kg	422g
2.36in	4.02in	3/8"	33.07lb	0.93lb

# INDEXING ROTATORS

Model	DH-55	DH-60C
Diameter (mm/in)	55/2.17	60/2.36
Height (mm/in)	75/2.95	43/1.69
Clamp model	DM-55	DM-60
Mounting stud	1/4"	1/4"
Mounting hole	3/8"	3/8"
Max load (kg/lb)	15/33.07	15/33.07
Weight (g/lb)	391/0.86	357/0.79

10 detent intervals: 10 detent intervals:

- 5° (72 stops), 5° (72 stops),
- 10° (36 stops), 10° (36 stops),
- 15° (24 stops), 11.25° (32 stops),
- 20° (18 stops), 18° (20 stops),
- 24° (15 stops), 22.5° (16 stops),
- 30° (12 stops), 30° (12 stops),
- 36° (10 stops), 36° (10 stops),
- 45° (8 stops), 45° (8 stops),
- 60° (6 stops), 60° (6 stops),
- 90° (4 stops), 90° (4 stops),



# LEVELLING BASES

A levelling base on your tripod is the perfect foundation for gimbal heads, pano gear, fluid heads and even ball heads. Each levelling base offers 15 degrees of levelling capability and locks solidly with just a twist. Different sizes, varying in platform diameter and lengths, are designed to match different tripods.



YB-75LC / YB-75MC / YB-75SC  
75MM HALF BALL ADAPTER WITH ARCA CLAMP

Model	Height mm/in	Diameter mm/in	Weight g/lb
YB-75LC	174/6.85	75/2.95	382/0.84
YB-75MC	131/5.16	75/2.95	347/0.77
YB-75SC	96/3.78	75/2.95	330/0.73



## Top platforms

Our Summit Series platforms have a sandbag hook to ensure tripod stability during strong winds. A special grub screw is provided for a firm interface between the head and the underlying platform.

Model	TP-100	TP-75	TP-60
Diameter (mm/in)	100/3.94	85/3.35	70/2.76
Weight (g/lb)	211/0.47	181/0.40	129/0.28



## Bowl adapters

The Summit Series tripods can be transformed into a rigid, lightweight video tripod with a 60mm/75mm/100mm half bowl. Ideally suited for half ball video heads, this configuration is particularly popular among videographers and wildlife photographers.

Model	BA-100	BA-75L	BA-75	BA-60
Diameter (mm/in)	97/3.82	99/3.90	81/3.19	71/2.80
Weight (g/lb)	122/0.27	175/0.39	78/0.17	77/0.17



YB-100LK / YB-100MK / YB-100SK  
100MM HALF BALL ADAPTER WITH ARCA CLAMP

Model	Height mm/in	Diameter mm/in	Weight g/lb
YB-100 LK	148/5.83	100/3.94	537/1.18
YB-100 MK	111/4.37	100/3.94	497/1.10
YB-100 SK	111/4.37	100/3.94	480/1.06



YB-75LK / YB-75MK / YB-75SK  
75MM HALF BALL ADAPTER WITH ARCA CLAMP

Model	Height mm/in	Diameter mm/in	Weight g/lb
YB-75LK	174/6.85	75/2.95	369/0.81
YB-75MK	131/5.16	75/2.95	338/0.75
YB-75SK	96/3.78	75/2.95	319/0.70

# S.O.A.R.

The GS-2 was designed as a multi-purpose clamping mount with an inward sloped jaw to provide a firm grip on equipment. When opening or closing, both the jaws move together to allow appropriate balancing of equipment from 1"-3" wide. Rubber pads on both jaws and bottom of the clamp ensures protection as well as a firm grip. At the bottom of GS-2 there are two 3/8" mounting holes for quick release plate attachments.



## GS-2 Equipment Support Mount

Model	Length mm/in	Width mm/in	Height mm/in	Weight g/lb	Clamping range mm/in
GS-2	113/4.45	76/2.99	89/3.50	565/1.25	28-80/1.10-3.1



YB-100LP / YB-100MP / YB-100SP  
75MM HALF BALL ADAPTER WITH 3/8" MOUNTING STUD

Model	Height mm/in	Diameter mm/in	Weight g/lb
YB-100 LP	136/5.35	100/3.94	400/0.88
YB-100 MP	100/3.94	100/3.94	362/0.80
YB-100 SP	100/3.94	100/3.94	357/0.79



YB-75LP / YB-75MP / YB-75SP  
75MM HALF BALL ADAPTER WITH 3/8" MOUNTING STUD

Model	Height mm/in	Diameter mm/in	Weight g/lb
YB-75LP	161/6.34	75/2.95	300/0.66
YB-75MP	115/4.53	75/2.95	266/0.59
YB-75SP	83/3.27	75/2.95	249/0.55



## GS-1 Equipment Support Mount

Model	Length mm/in	Width mm/in	Height mm/in	Weight g/lb
GS-1	60/2.36	38/1.50	17/0.67	80/0.18



## Multi-Clamp



### Features:

- \* CNC machined 6061-T6 aluminium
- \* Anodized: type II black
- \* Four threaded 3/8" holes
- \* One threaded 1/4" hole
- \* Optional flat surface adapters
- \* Intuitive locking lever control
- \* Locking lever's captive design never requires no user adjustment
- \* Extremely compact "go anywhere", "fit anywhere" size



## ► MC SERIES TRAVEL CLAMPS

The Multi-Clamps (MC-80/MC-100) are precision-machined from solid blocks of 6061-T6 aluminium. The screws are made of stainless steel and the Multi-Clamp securely mounts to any round stock up to 3.5 inches (89mm). Alternatively, add the optional Flat Surface Adapters to mount to any flat surface up to 2.4 inches (63mm) in thickness. There are five threaded holes in the Multi-Clamp; four 3/8" threaded holes and one 1/4" threaded hole. These holes can be used to mount additional attachments like the AM series magic arms, cellphone clamps, LED lights, microphones etc.





# MC-100

MULTI-FUNCTIONAL CLAMP



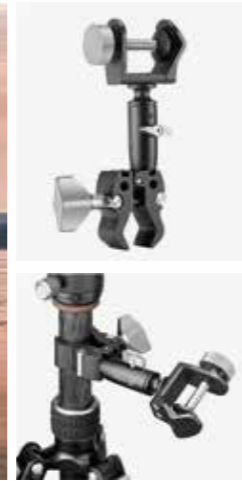
Model	MC-100	MC-50	MC-30	MFC-60
Max clamp width (mm/in)	123/4.84	50/1.97	30/1.18	60/2.36
Max clamp diameter (mm/in)	110/4.33	40/1.57	31/1.22	40/1.57
Max load (kg/lb)	15/33.07	5/11.02	2/4.41	6/13.23
Weight (g/lb)	292/0.64	167/0.37	72.5/0.16	257/0.57



# UC-01

## Umbrella Clamp for Tripods

Protect yourself from the sun, wind, rain, or snow. Equipped with four \*1/4" and one \*3/8" screw holes which can be used for external devices such as mobile phones and flashlights.



# UC-04

## UC-04 Umbrella Clamp for L-plates

Protect yourself from the sun, wind, rain, or snow.



# MC-40 / UC-02

## Multi Clamps Umbrella Clamps

Protect yourself from the sun, wind, rain, or snow. Equipped with four \*1/4" and one \*3/8" screw holes, which can be used for external devices such as mobile phones and flashlights.



Anti-Twist Groove  
For Leofoto AM series Anti-twist adapter

# TRIPOD LEG COLLARS

## TDC-22/25/28/32/36/40

Tripod Leg Collars were designed to attach accessories and improve the functionality of the tripod, for example, magic arms, mobile phones, tablets, LED lights and microphones. There's one 1/4" socket and another 3/8" socket for using with AM-3/4 series anti-twist magic arms.



TDC-22 TDC-25 TDC-28 TDC-32 TDC-36 TDC-40  
Sizes: 22/25/28/32/36/40mm, compatible with tripods that have 22/25/28/32/36/40mm legs.

Single opening for fast attachment  
The collar features double screws and single opening for fast attachment to the tripod leg.



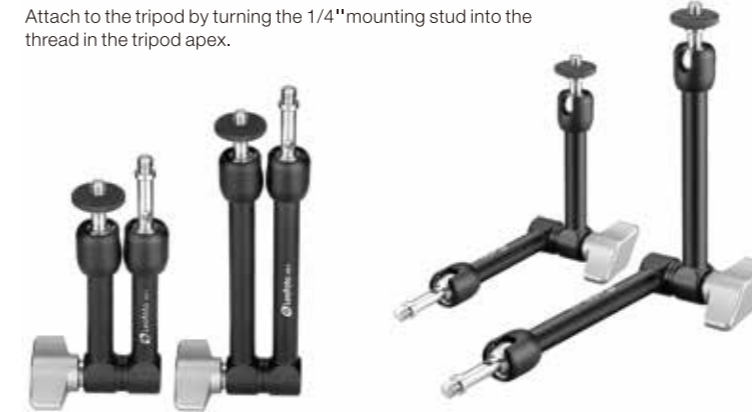


## Variable Versa Arms with High-Locking Strength

12" Long Magic Friction Arm. Fully articulated arm with 90-degree pivot and 360-degree rotatable ends. Partially loosen to precisely position the arm. Two 1/4" male threads attach to virtually any device on the market. Toothed centre locking joint for extra security to prevent slipping. Quick angle adjustments with one main locking knob compared to other magic arms.

### AM-3 AM-4

Attach to the tripod by turning the 1/4" mounting stud into the thread in the tripod apex.



Model	AM-3	AM-4	AM-3kit	AM-4kit
Folded length (mm/in)	90/3.54	127/5.00	110/4.33	155/6.10
Extend length (mm/in)	170/6.69	250/9.84	200/7.87	292/11.50
Width (mm/in)	54/2.13	55/2.17	54/2.13	53/2.09
Weight (g/lb)	126/0.28	166/0.37	198/0.44	239/0.53
Max. load (kg/lb)	3/6.61	3/6.61	3/6.61	3/6.61



## VARIABLE VERSA ARMS

These small versa arms can really turn your ideas into reality



Model	AM-1	AM-1L	AM-2	AM-2L	AM-2T
Length (mm/in)	115/4.53	192/7.56	127/5.0	215/8.46	119/4.69
Weight (g/lb)	53/0.12	98/0.22	89/0.20	162/0.36	89/0.20
Max. load (kg/lb)	1.5/3.31	1.5/3.31	2/4.41	2/4.41	2/4.41

### AM-3kit AM-4kit

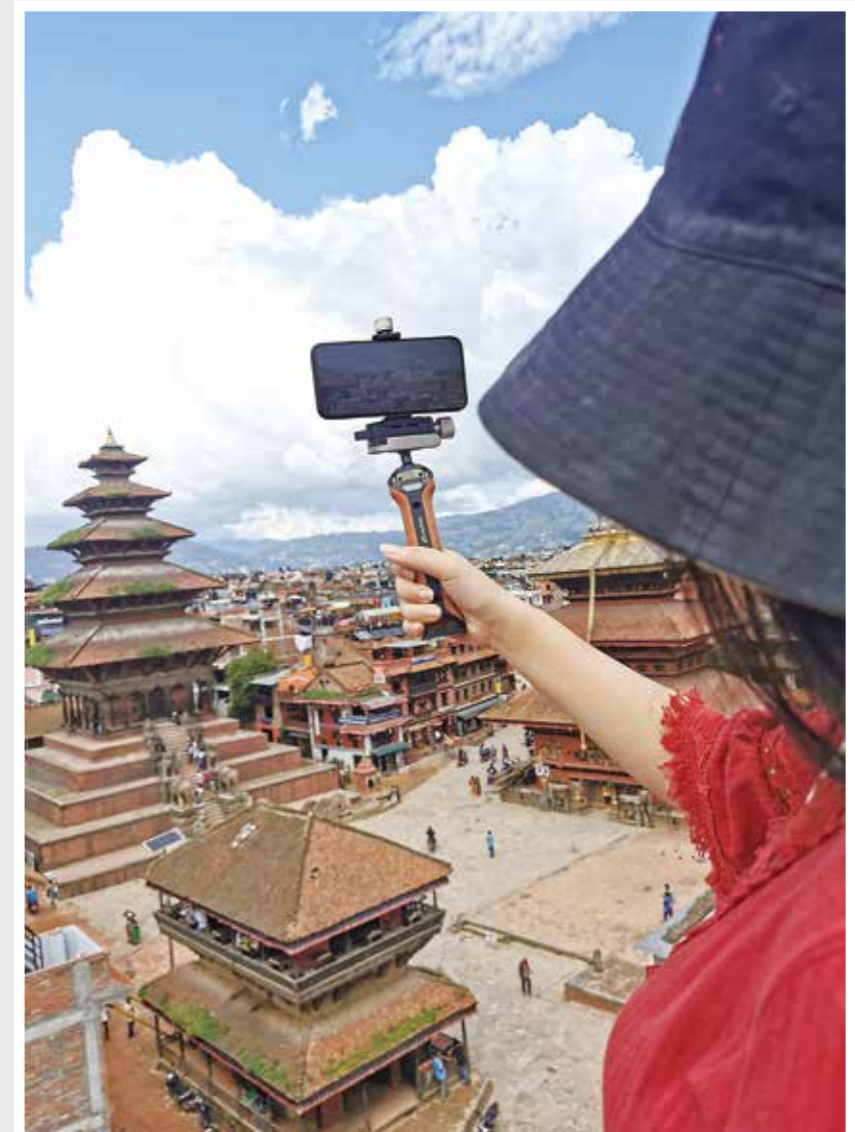
Anti-twist adapters on two ends can be exchanged with the allen key. Attach the tablet & camera and mount it on the versa arm.





# ROSEWOOD HAND-HELD STABILIZER

## ROSEWOOD HANDHELD STABILISER



WOOD HANDLE WITH MBC-18 AND PC-90II





## CELLPHONE VIDEO KITS

Polished from rosewood log. Combination of wood and metal is a classic yet modern design.



## CAMERA VIDEO KITS

Delicately polished with a strong ergonomic design for long-lasting grip.



# CAMERA CAGES

Precise mounting holes - Perfect fit with the camera body/full cover fit.  
Multiple mounting holes for easy link-to-hand grip, cellphones, flashes, microphones, and other accessories.



- \* 1/4" mounting hole
- \* 1/4" mounting screw
- \* 3/8" mounting hole
- \* Arri location hole
- \* Anti-slippery rubber mats
- \* Cold shoe adapter

# Lightweight Body Armour

Full cover fit & hand grip – ideal for video shooting.  
Full access to camera accessory ports and buttons. Magnetic hex key storage on the bottom of the cage.



**CUSTOM CAGE FOR X-T4**  
Precise mounting holes/ for a perfect fit with the camera body Hidden Allen key  
Weight: 206g



**CUSTOM CAGE FOR A7R3/A7M3/A9**  
Weight: 217g



**CUSTOM CAGE FOR A7R4**  
Weight: 198g



**CUSTOM CAGE FOR Z6/Z7**  
Weight: 220g



**CUSTOM CAGE FOR EOS-M50**  
Weight: 165g



**CUSTOM CAGE FOR EOS-R**  
Weight: 209g

# Universal Quick-Release Handle

Slide forwards and backwards to easily adjust the centre of gravity.  
Quick-release design for fast balance adjustment.



**UNIVERSAL QUICK RELEASE HANDLE AH-1**  
Adjust the centre of gravity according to the lens and keep your camera balanced.  
Weight: 166g

# MOBILE PHONE STAND PACKAGE | TABLET PC CLAMPS



## PC-190/PC-230 Tablet PC Clamps

The Leofoto tablet clamp is designed specifically for photographers who may wish to tether their cameras to tablets. The images can then be reviewed on the tablet instead of the camera display. Like the phone clamp, the jaws that hold the tablet together are lined with rubber to improve grip and prevent scratches. It can be adjusted to fit the various tablets' dimensions.



1/4" Mounting hole    Arca-Swiss type    Stainless steel



## IPC-300/IPC-500 TABLET PC CLAMPS



## PS-1+PC-90II Mobile Phone Stand Package

The Leofoto phone clamp is designed specifically for mobile phone photographers. The clamp can be adjusted to accommodate most phones with widths from as small as 2.2" (56mm) up to 3.54" (90mm). The inward-angled jaws are lined with rubber to maintain a firm grip and protect the phone from scratches. There are two 1/4" mounting sockets, conveniently positioned for use with our pocket stand, tripods or other mounting needs.



Width adjustment button    Arca-Swiss style    1/4" Mounting hole



Model	Weight g/lb	Max load kg/lb	For Phone mm/in
PS-1+PC-90II	144/0.32	3/6.61	56~90/2.20~3.54
PC-190	139/0.31	8/17.64	115~190/4.53~7.48
PC-230	143.5/0.32	8/17.64	138~230/5.43~9.06
IPC-300	146/0.32	2/4.41	220~355/8.66~13.98
IPC-500	183/0.40	2/4.41	330~500/12.99~19.69

# SELF QUICK LOCK SYSTEM

AUTOMATIC LOCK OF INSERTION



## A new era of flash quick-release

Quick-release dovetail "V"-type plate for easy operation and security.



## Quick-release Cold Shoe Adapter / Traditional Cold Shoe Adapter



## Lock Safe & Solid

"V" type quick-release plate  
"V" type automatic lock clamp



Model	Length mm/in	Width mm/in	Height mm/in	Weight g/lb
FA-10	28 / 1.10	21 / 0.83	15 / 0.59	14.5 / 0.03
FA-11	32 / 1.26	19 / 0.75	7 / 0.28	8.3 / 0.02
FA-12	33 / 1.30	19 / 0.75	15 / 0.59	14 / 0.03
FA-13	33 / 1.30	29 / 1.14	27 / 1.06	27 / 0.06
FA-14	38 / 1.50	38 / 1.50	55 / 2.17	58 / 0.13
FA-15	28 / 1.10	25 / 0.98	53 / 2.09	43 / 0.09
FA-16	22 / 0.87	18 / 0.71	52 / 2.05	23 / 0.05



# QUICK-RELEASE CLAMPS

Leofoto has various quick-release clamps which are compatible with Arca-Swiss mounting plates to fit the different ball-head sizes or different photographic needs. Please contact us if you have a specific need that is not displayed on this brochure.



**RH-2L+NP-60**  
3/8" mounting hole  
Length: 94mm/3.70in  
Diameter: 60mm/2.36in  
Thickness: 23mm/0.91in  
Weight: 150g/0.33lb



**RH-1L+NP-50**  
3/8" mounting hole  
Length: 84mm/3.31in  
Diameter: 52mm/2.05in  
Thickness: 23mm/0.91in  
Weight: 120g/0.26lb



**RH-0+NP-50**  
3/8" mounting hole  
Length: 80mm/3.15in  
Diameter: 47mm/1.85in  
Thickness: 23mm/0.91in  
Weight: 106g/0.23lb



**PCL-60+NP-60**  
3/8" mounting hole  
Length: 90mm/3.54in  
Diameter: 60mm/2.36in  
Thickness: 26mm/1.02in  
Weight: 172g/0.38lb



**LR-50+NP-50**  
3/8" mounting hole  
Length: 81mm/3.19in  
Width: 50mm/1.97in  
Thickness: 22mm/0.87in  
Weight: 131g/0.29lb



**DC-50**  
3/8" mounting hole  
Length: 90mm/3.54in  
Width: 50mm/1.97in  
Thickness: 15mm/0.59in  
Weight: 70g/0.15lb



**LHC-60**  
3/8" mounting hole  
Length: 96mm/3.78in  
Width: 60mm/2.36in  
Thickness: 16mm/0.63in  
Weight: 109g/0.24lb



**DDC-38**  
3/8" mounting hole  
Length: 94mm/3.70in  
Width: 38mm/1.50in  
Thickness: 29mm/1.14in  
Weight: 142g/0.31lb



**DC-38Q**  
3/8" mounting hole  
Length: 75mm/2.95in  
Width: 38mm/1.50in  
Thickness: 20mm/0.79in  
Weight: 65g/0.14lb



**LHC-50**  
3/8" mounting hole  
Length: 92mm/3.62in  
Width: 50mm/1.97in  
Thickness: 16mm/0.63in  
Weight: 92g/0.20lb



**DDC-50**  
3/8" mounting hole  
Length: 106mm/4.17in  
Width: 50mm/1.97in  
Thickness: 35mm/1.38in  
Weight: 170g/0.37lb



**DC-25**  
3/8" mounting hole  
Length: 89mm/3.50in  
Width: 25mm/0.98in  
Thickness: 29mm/1.14in  
Weight: 97g/0.21lb

## Mini Clamps



**DC-12**  
1/4" screw  
Length: 67mm/2.64in  
Width: 12mm/0.47in  
Thickness: 12mm/0.47in  
Weight: 18g/0.04lb



**DC-22**  
1/4" mounting hole  
Length: 68mm/2.68in  
Width: 22mm/0.87in  
Thickness: 12mm/0.47in  
Weight: 22g/0.05lb



**DC-24**  
3/8" mounting hole  
Length: 77mm/3.03in  
Width: 24mm/0.94in  
Thickness: 13mm/0.51in  
Weight: 37g/0.08lb



**DM-47**  
3/8" mounting hole  
Length: 79mm/3.11in  
Diameter: 47mm/1.85in  
Thickness: 13mm/0.51in  
Weight: 43g/0.09lb

# NODAL SLIDE WITH INTEGRAL CLAMPS

To eliminate the possibility of parallax errors when stitching individual frames into panorama, it is necessary to calibrate your nodal point for the different lenses and focal lengths photographers use. Leofoto nodal rails come with an integrated clamp and built-in bubble level. The double-dovetail design allows for dual clamping surfaces on the rail. Metric scale on rail sides to aid precise positioning.

Mode	Dovetail	Length mm/in	Height mm/in	Width mm/in	Weight g/lb
NR-100	Arca-swiss	126.5/4.98	18/0.71	38/1.50	110/0.24
NR-140	Arca-swiss	170/6.69	18/0.71	38/1.50	130/0.29
NR-200	Arca-swiss	230/9.06	18/0.71	38/1.50	170/0.37



# LONG LENS SUPPORT

Photographers use the long lens support system from Leofoto to help support the barrel of the lens and improve the stability of the setup. This steadies the set up and harnesses the resolution of the camera and the long lens capability.



Model	VR-250	VR-400
Length of rail (mm/in)	250/9.84	400/15.75
Width of rail (mm/in)	38/1.50	38/1.50
Thickness of rail (mm/in)	10/0.39	10/0.39
Weight (g/lb)	260/0.57	330/0.73
Material	Aluminum alloy	
Dovetail	Arca-Swiss	

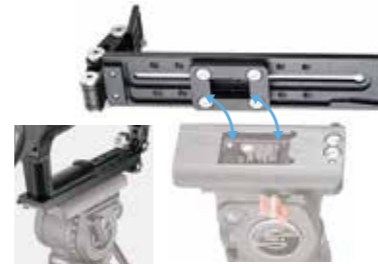


Manfrotto/Sachtler universal long lens support  
2 kinds of standard dovetails, for all Manfrotto/Sachtler heads

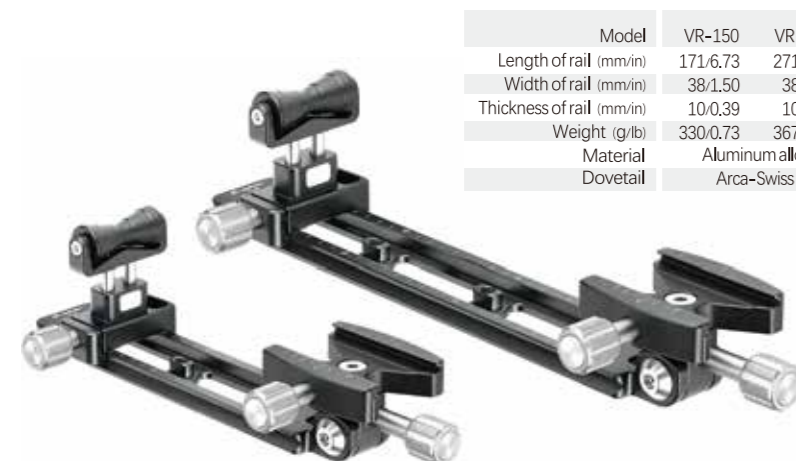


Model	VR-220	VR-380
Length of rail (mm/in)	220/8.66	380/14.96
Width of rail (mm/in)	50/1.97	50/1.97
Thickness of rail (mm/in)	12/0.47	12/0.47
Weight (g/lb)	365/0.80	445/0.98
Material	Aluminum alloy	
Dovetail	Manfrotto/Sachtler	

Sachtler T series dovetail  
For Sachtler heads: FSB-6T, FSB-8T, FSB-10T



Manfrotto/Sachtler standard dovetail



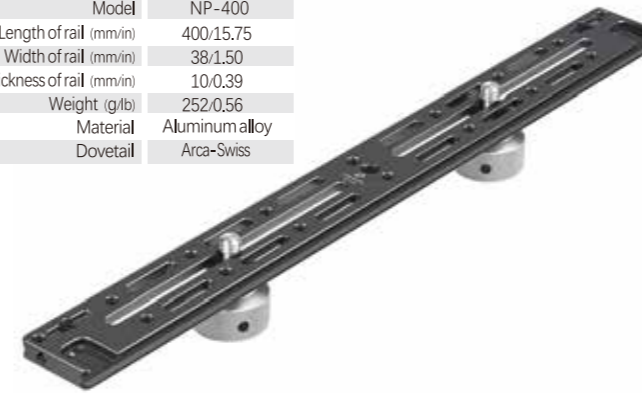
Model	VR-150	VR-150L
Length of rail (mm/in)	171/6.73	271/10.67
Width of rail (mm/in)	38/1.50	38/1.50
Thickness of rail (mm/in)	10/0.39	10/0.39
Weight (g/lb)	330/0.73	367/0.81
Material	Aluminum alloy	
Dovetail	Arca-Swiss	



# STEREO PACKAGES

Our multiple purpose rail allows the photographers to mount types of gears and cameras to create amazing photographic and video possibilities

Model	NP-400
Length of rail (mm/in)	400/15.75
Width of rail (mm/in)	38/1.50
Thickness of rail (mm/in)	10/0.39
Weight (g/lb)	252/0.56
Material	Aluminum alloy
Dovetail	Arca-Swiss



Model	NP-600kit
Length of rail (mm/in)	600/23.62
Width of rail (mm/in)	38/1.50
Thickness of rail (mm/in)	10/0.39
Weight (g/lb)	513/1.13
Material	Aluminum alloy
Dovetail	Arca-Swiss



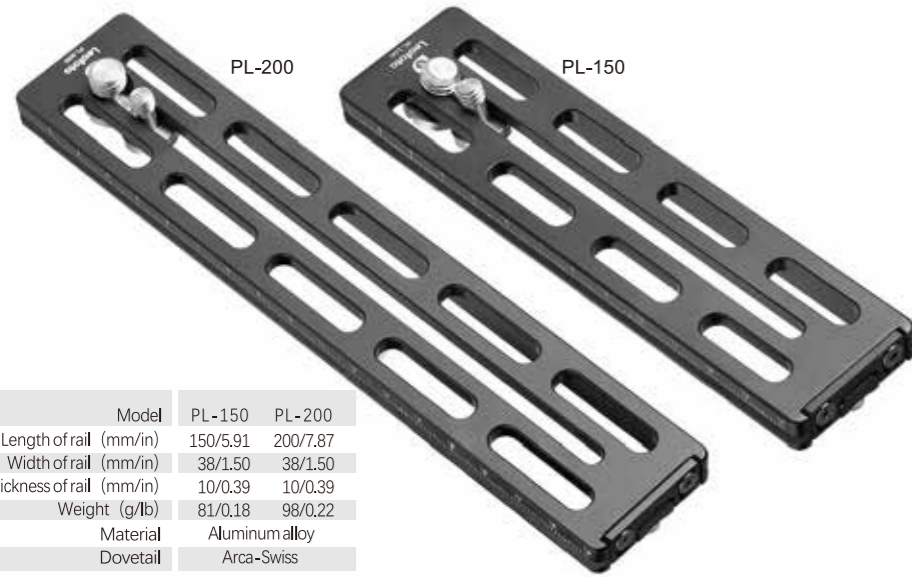
# WORMDRIVE MACRO RAILS



Model	Plate	Dovetail	Length mm/in	Width mm/in	Thickness mm/in	Weight g/lb
MP-150	NP-50	Arca-Swiss	208/8.19	67/2.64	39/1.54	340/0.75
MP-150S	NP-50	Arca-Swiss	208/8.19	67/2.64	39/1.54	314/0.69

# UNIVERSAL QUICK RELEASE PLATES

Leofoto universal quick-release plates are designed for most of cameras. Each plate is precision-machined from aluminium alloy and hard anodized. All Leofoto quick-release plates are with Arca standard dovetail which are compatible with any Arca style clamps in the market.



Model	PL-150	PL-200
Length of rail (mm/in)	150/5.91	200/7.87
Width of rail (mm/in)	38/1.50	38/1.50
Thickness of rail (mm/in)	10/0.39	10/0.39
Weight (g/lb)	81/0.18	98/0.22
Material	Aluminum alloy	
Dovetail	Arca-Swiss	



**Adjustable anti-twist flange**  
Our plates feature adjustable anti-twist flanges that prevent twisting between the plate and the camera body.



Model	Dovetail	Length mm/in	Width mm/in	Weight g/lb
PL-62	Arca-Swiss	62 /2.44	38 /1.50	46 /0.10
PL-80	Arca-Swiss	80 /3.15	38 /1.50	61 /0.13



Model	Dovetail	Length mm/in	Width mm/in	Weight g/lb
NP-50	Arca-Swiss	50/1.97	44/1.73	38/0.08
NP-60	Arca-Swiss	60/2.36	44/1.73	42/0.09



Model	Dovetail	Length mm/in	Width mm/in	Weight g/lb
NP-50S	Arca-Swiss	56/2.20	41/1.61	37/0.08
NP-60S	Arca-Swiss	66/2.60	41/1.61	41/0.09
NP-70S	Arca-Swiss	76/2.99	41/1.61	47/0.10



Model	Dovetail	Length mm/in	Width mm/in	Weight g/lb
PU-25	Arca-Swiss	25/0.98	38 /1.50	10 /0.02
NP-30	Arca-Swiss	31/1.22	38 /1.50	12 /0.03
QP-70N	Arca-Swiss	70/2.76	38 /1.50	44 /0.10

# SPECIFIC L-PLATES

Our camera plates are Arca-Swiss compatible and have anti-twist flanges for dedicated mating. Each L-plate has been customised to adapt to a specific camera, ensuring that it is secured but doing so in a way that does not impede access to its controls. L-plates have the added advantage of being dovetailed along both the vertical and horizontal axes, which means switching orientation between portrait and landscape is easy. The sliding grooves provided along both axes also make it easy to position the camera directly over the tripod's centre of gravity for optimal stability.



## Fujifilm

MODEL	With handgrip	With handgrip	With handgrip	With handgrip	With handgrip
MODEL	LPF-XT1	LPF-XT10	LPF-XT20	LPF-XPRO2	LPF-GFX-50S
Camera model	X-T1	XT-10	XT-20	XPRO2	GFX-50S
Length (mm/in)	140/5.51	131/5.16	132/5.20	153/6.02	107/4.21
Width (mm/in)	49/1.93	50/1.97	50/1.97	53/2.09	57/2.24
Height (mm/in)	68/2.68	63/2.48	63/2.48	65/2.56	95/3.74
Weight (g/lb)	88/0.19	115/0.25	116/0.26	102/0.22	140/0.31

## Sony

MODEL	LPS-A7	LPS-A7II	LPS-A6000	LPS-A6300	LPS-A6500	LPS-A9/A7III
Camera model	A7/A7R	A7II	A6000	A6300	A6500	A9/A7III
Length (mm/in)	138/5.43	136/5.35	132/5.20	131/5.16	93/3.66	138/5.43
Width (mm/in)	50/1.97	57/2.24	46/1.81	53/2.09	39/1.54	62/2.44
Height (mm/in)	74/2.91	76/2.99	54/2.13	56/2.20	53/2.09	63/2.48
Weight (g/lb)	104/0.23	78/0.17	67/0.15	67/0.15	76/0.17	74/0.16

## Canon

MODEL	Battery grip	Battery grip	Battery grip	Battery grip	Battery grip	Battery grip	Battery grip	Battery grip
MODEL	LPC-EOSM	LPC-5DIII	LPC-6D	LPC-7D	LPC-7DII	LPC-5DSR	LPC-5D MKIV	LPC-EOSR
Camera model	EOS-M	5D MARK III	6D	7D	7DII	5DS/5DSR	5D MARK IV	EOSR
Length (mm/in)	115/4.53	134/5.28	118/4.65	118/4.65	114/4.49	126/4.96	115/4.53	104/4.09
Width (mm/in)	47/1.85	84/3.31	39/1.54	52/2.05	48/1.89	50/1.97	52/2.05	38/1.50
Height (mm/in)	66/2.60	137/5.39	72/2.83	88/3.46	84/3.31	88/3.46	84/3.31	81/3.19
Weight (g/lb)	100/0.22	152/0.34	90/0.20	93/0.21	108/0.24	109/0.24	115/0.25	82/0.18

## Nikon

MODEL	LPN-D800	LPN-D750	LPN-D7100	LPN-D500
Camera model	D800/D800E	D750	D7100/D7200	D500
Length (mm/in)	115/4.53	105/4.13	108/4.25	103/4.06
Width (mm/in)	57/2.24	47/1.85	50/1.97	50/1.97
Height (mm/in)	83/3.27	82/3.23	79/3.11	86/3.39
Weight (g/lb)	82/0.18	102/0.22	95/0.21	110/0.24

## Panasonic

MODEL	LPP-GH4	LPP-GH5
Camera model	GH-4	GH-5
Length (mm/in)	142/5.59	91/3.58
Width (mm/in)	62/2.44	40/1.57
Height (mm/in)	73/2.87	78/3.07
Weight (g/lb)	92/0.20	78/0.17

# QUICK-DETACH TRIPOD STRAPS

## All metal design

The strap wheel and collar are made of stainless steel or aluminium alloy.



## Automatic lock. Lightning Fast.

Press button to install and pull to remove. Mount QDC-40 and QDM-1/QDM-2 to tripod and then lock via QD-1.



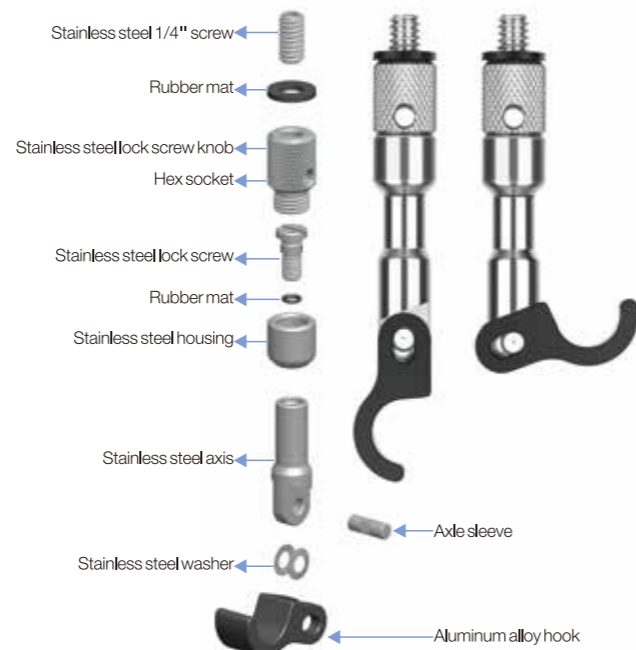
▲3/8" screw

▲1/4" screw

# WEIGHT HOOK

## Automatic lock, lightning fast

With a special design for non-centre column tripods, the compact weight hook allows the shooter to hang weight from the bottom of the tripod, adding mass and increasing stability.



Stainless steel 1/4" screw

Rubber mat

Stainless steel lock screw knob

Hex socket

Stainless steel lock screw

Rubber mat

Stainless steel housing

Stainless steel axis

Axle sleeve

Stainless steel washer

Aluminum alloy hook

# ACCESSORIES

All our accessories are superior quality and precision-engineered for better performance and durability.



FA-01 / Hot shoe → 1/4" Mounting hole



FA-02 / Hot shoe → 1/4" Mounting hole



FA-03 / Cold shoe for Arca clamps



FA-04 / Double-side cold shoe



FA-05 / 1/4" Screw or screw hole to cold shoe



FA-06 / Hot shoe tilt head



FA-07 / 4 in 1 Hot shoe tilt head



FA-08 / Double-side cold shoe



FA-09 / Hot shoe tilt head



CF-5 / 1/4" Mounting stud → 1/4" Mounting hole



CF-7 / CF-8



CF-6 / 1/4" Mounting stud → 1/4" Mounting hole



DA-1 / DA-2 L cable anchor for L-plates

# TRIPOD ACCESSORIES



LF Series Rubber Feet



SC-50 Wide Feet



SC-80 Wide Feet



Rubberized Waterproof Leg Handle Grip



TFS Long Spikes



3/8" Spikes



TFC Claws



Tripod Secure Nylon Safety Strap

# MULTI-TOOL

## MPL

Multi-function photography tool  
Coin key  
3mm Allen wrench  
4mm Hex tip  
Carabiner & bottle opener  
Keyring  
Weight hook



## LMT-10

Multi-Tool  
Cross tip/Flat tip/Hex tip  
3/8" stud  
3/8" 1/4" mounting thread



# GEARED

## Center columns

Geared lifting for quick positioning  
Geared adjustment for precise positioning



# GEARED CENTRE COLUMNS

Geared lifting for quick positioning  
Geared adjustment for precise positioning



**GEARED CENTER COLUMN GC-404C | GC-364C**

Weight: 797g/1.76lb | 760g/1.68lb  
Height: 480mm/18.90in | 480mm/18.90in  
Tube: 32mm/ 1.26in | 32mm/ 1.26in  
Base diameter: 63mm/2.48in | 63mm/2.48in  
For tripods with 100mm/3.94in | 75mm/2.95in bowl adapter



**CENTER COLUMN DC-404C/DC-364C/DC-324C**

Weight: 510/478/435g | 1.12/1.05/0.96lb  
Height: 425mm | 16.73in  
Tube: 32mm | 1.26in  
Base diameter: 65mm | 2.56in  
For tripods with 100/75/60mm | 3.94/2.95/2.36in bowl adapter



**CENTER COLUMN DC-222C/DC-252C/DC-282C/DC-322C**

Weight: 100/123/143/184g | 0.22/0.27/0.31lb/ 0.40lb  
Height: 200-329mm | 7.87-12.95in  
Tube: 22/25/28/32mm | 0.87/0.98/1.10/1.26in  
Max load: 8/12/16/20kg | 17.64/26.46/35.27/ 44.09lb  
Base diameter: 29/34/38/48mm | 1.14/1.34/1.50/1.89in



**GEARED CENTER COLUMN GC-282C**

Height: 328mm | 12.91in  
Tube: 28mm | 1.10in  
Base diameter: 38mm | 1.50in





## HORIZONTAL COLUMN MECHANISM

The horizontal column mechanism can be attached above the tripod apex compactly and can be kept/transported easily. Switching between vertical and horizontal column orientation requires no disassembly; it can even be done with a camera attached.



### HC-28 HORIZONTAL COLUMN

Weight: 413g/0.91lb  
Height: 400mm/15.75in  
Tube: 28mm/1.10in  
Max load: 10kg/22.05lb  
Base diameter: 46mm/1.81in



### HX-28 URBAN SERIES HORIZONTAL CENTER COLUMN LOCK

Weight: 229g/0.50lb  
Height: 126mm/4.96in  
For tube diameter: 28mm/1.10in  
Max load: 10kg/22.05lb  
Base diameter: 46mm/1.81in  
Models: HX-32/HX-28/HX-25/HX-22  
4 sizes available: 32/28/25/22 | 1.26/1.10/0.98/0.87in



### HS-28 RANGER SERIES HORIZONTAL CENTER COLUMN LOCK

Weight: 214g/0.47lb  
Height: 119mm/4.69in  
For tube diameter: 28mm/1.10in  
Max load: 10kg/22.05lb  
Base diameter: 46mm/1.81in  
Models: HS-32/HS-28/HS-25/HS-22  
4 sizes available: 32/28/25/22 | 1.26/1.10/0.98/0.87in

# BAGS

Leofoto offer more than just a broad range of bags; we offer a complete photo-carrying solution system designed to enhance the individual style of photographers whilst still meeting their photographic needs. We use only the latest innovative materials to construct the lightest camera bags on the market



**Summit Series Tripod + PG-1 Gimbal Head Case**  
For tripods with less than 36mm tubes



**Custom-made & Fully Protective**  
Compact & easy to carry with a special design based on the size.



Shouldered

Hand-held

## Summit Series Tripod Bag

This lightweight, unpadded tripod bag is made to protect your tripod and mounted head. Its asymmetric tapered shape allows you to store the Summit series tripod with the head attached and the tripod legs fit comfortably in the narrower end. The main zipper extends down the full length of the bag whilst wrapping around the top area to easily open and grab your tripod. The thermoform padding for the head protects the tripod head during transport.



## Ranger/Urban Series Tripod Bag

This lightweight, unpadded tripod bag is made to protect your tripod and mounted head. The main zipper extends down the full length of the bag whilst wrapping around the top area to easily open and grab your tripod. The thermoform padding for the head protects the tripod head during transport.



## Other bags



**AC-1 Accessory Package Bag**  
AC-1 Multi-functional Camera Messenger Bag.



**AC-2 Accessory Package Bag**  
AC-2 can be hung on the tripod for easy and efficient pick up of accessories during outdoors shooting.



**RB-1 Universal tripod rock bag**  
Bag for adding weight and storage, easy and quickly to pick up.



**MC Series Multi-Clamp Bag**  
Special design based on the size, compact and easy carry



**Gimbal Head Bag**  
Special design based on the size, compact and easy carry



**Specific bag for MT-03**  
Special design based on the size, compact and easy carry